



CARE & INSTRUCTIONS MANUAL

GUIDE D'UTILISATION ET D'ENTRETIEN

MANUAL DE INSTRUCCIONES Y MANTENIMIENTO

30" CONVECTION OVEN
30" FOUR À CONVECTION
30" HORNO DE CONVECCIÓN

• **5HA-780 X**



NOTE: To avoid accident and damage, please read these instructions carefully before operating the appliance.
NOTE: Veuillez lire ces instructions attentivement a fin d'éviter accidents et dommages.
NOTA: Por favor, lea este manual de instrucciones atentamente para evitar posibles daños o accidentes.



OVEN CARE AND INSTRUCTIONS MANUAL

MANUEL D'UTILISATION ET D'ENTRETIEN DU FOUR

MANUAL DE USO Y MANTENIMIENTO DEL HORNO

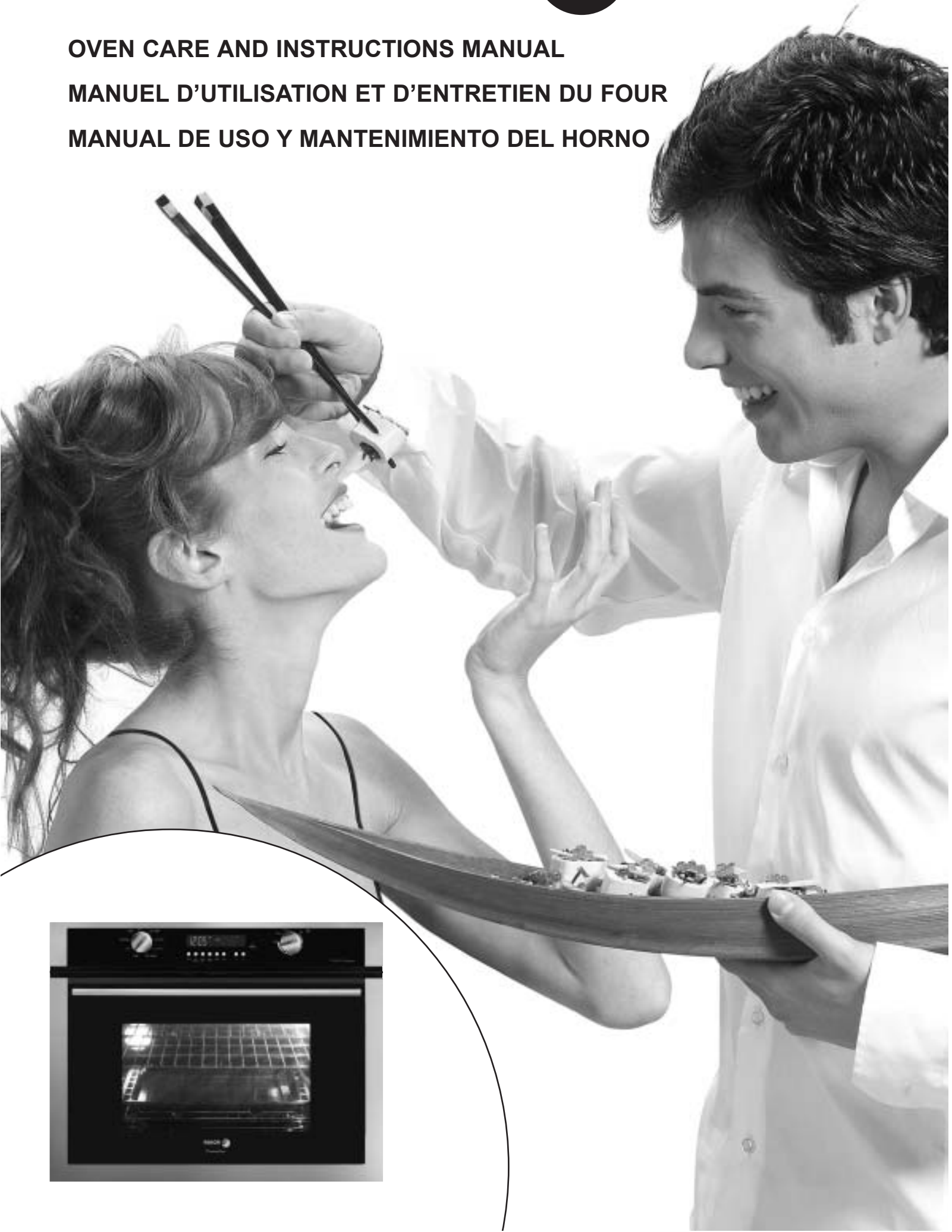


Table of Contents

Important Safety Instructions	1	Oven Modes	
Getting Started		Bake	9
Setting the Clock	2	Convection Bake	9
Using the Oven Lights	2	Broil	10
Oven Parts and Accessories	3	Convection Broil	10
Oven Control Panel	4	Convection Roast	11
Display	4	Dehydrate	12
Knobs	4	Self-Cleaning	13
Other Features	4	Care and Maintenance	
General Oven Tips		Replacing a Light Bulb	15
Suggestions for Use	5	Cleaning Oven Surfaces	15
Advantages of Convection Cooking	5	Removing the Oven Door	16
About Convection Cooking	5	Do-It-Yourself Procedures	
Oven Operation Overview	5	Activating Sabbath Mode	17
Preheating the Oven	5	Changing Clock Format	17
Bakeware	5	Changing Temperature Format	17
Oven Racks	6	Changing Temperature Calibration	17
Oven Extendable Racks	6	Changing Operating Voltage	17
Selecting the Rack Position	7	Self Help	
Using Multiple Racks	7	Baking	18
Condensation	7	Operation	19
Temperature Sensor	7		
High Altitude Baking	7		
Food Serving Temperature Guidelines	7		
Setting the Oven			
Setting the Cooking Mode	8		
Setting the Timer:	8		
Setting the Cooking Mode using Fast Preheat ...	8		
Timed Cooking Modes	8		
Setting the Timed Mode	8		
Setting the Delayed Mode	8		

Getting Started



Important Safety Instructions

Please read all instructions before using this appliance.

When properly cared for, your new Fagor oven has been designed to be a safe, reliable appliance.

Read all instructions carefully before using this oven. These precautions will reduce the risk of burns, electric shock, fire and injury to persons.

When using kitchen appliances, basic safety precautions must be followed, including the following:

- This appliance must be properly installed and grounded by a qualified technician. Connect only to properly grounded outlet. See electric preparation and connection instructions in the Installation Instructions.
- This appliance should be serviced only by a qualified service technician. Contact the nearest authorized service center for examination, repair or adjustment.
- Do not repair or replace any part of the oven unless specifically recommended. Refer service to an authorized service center.
- Do not operate this appliance if it is not working properly or if it has been damaged, until an authorized technician has examined it.
- Install or locate this appliance only in accordance with the Installation Instructions.
- Use this oven only as intended by the manufacturer. If you have any questions, contact the manufacturer.
- Do not cover or block any openings on this appliance.
- Use this appliance only for its intended use as described in this manual. Do not use corrosive chemicals, vapors, or nonfood products in this appliance. This type of oven is specifically designed to heat or cook. It is not designed for industrial or laboratory use. The use of corrosive chemicals for heating or cleaning will damage the appliance.
- In the event that personal clothing or hair catches fire, DROP AND ROLL IMMEDIATELY to extinguish flames.
- This oven is intended for residential use only. It is not approved for outdoor use.

REGARDING PET BIRDS

Birds have very sensitive respiratory systems. Keep pet birds out of the kitchen or other rooms where kitchen fumes could reach them. During Self-Clean mode, fumes that may be harmful to birds are released. Other kitchen fumes, such as from overheating margarines and cooking oils, may also be harmful.

- Do not allow children to use this appliance unless closely supervised by an adult. Children and pets should not be left alone or unattended in the area where the appliance is in use. Never allow children to sit or stand on any part of the oven.
- Do not store items of interest to children above the oven. If children should climb onto the appliance to reach these items, they could be seriously injured.

To reduce the risk of fire in the oven cavity:

1. Do not store flammable materials in or near the oven.
2. Do not use water on a grease fire. Smother fire or use a dry chemical or foam-type extinguisher.
3. Have a fire extinguisher readily available and highly visible next to any cooking appliance. Be sure you know how to use it.
4. Do not overcook food. Carefully attend oven if paper, plastic or other combustible materials are placed inside the oven.
5. Do not use the cavity for storage purposes. Do not leave paper products, cooking utensils or food in the cavity when not being used.
6. If materials inside the oven should ignite, keep oven door closed. Turn oven off and disconnect the circuit at the circuit breaker box.
7. Do not block any vent openings.
8. Be sure the blower fan runs when the oven is in operation. If the fan does not operate, do not use the oven. Call an authorized service center.
9. Never use the oven to warm or heat a room. This can damage the oven parts.
10. For personal safety, wear proper clothing. Loose fitting garments or garments with hanging sleeves should never be worn while using this appliance.



WARNING

The California Safe Drinking Water and Toxic Enforcement Act requires businesses to warn customers of potential exposure to substances which are known by the State of California to cause cancer or reproductive harm.

The elimination of soil during self-cleaning generates some by-products which are on this list of substances.

To minimize exposure to these substances, always operate this oven according to the instructions in this manual and provide good ventilation to the room during and immediately after self-cleaning the oven.

Continued on next page

Getting Started



Important Safety Instructions

Please read all instructions before using this appliance.

SAFETY PRECAUTIONS

- Tie long hair so that it doesn't hang loose.
- The heating elements may be hot even though they are dark in color. Interior surfaces of an oven become hot enough to cause burns.
- During and after use, do not press or let clothing or other flammable materials contact the heating elements or the interior surfaces of the oven until they have had sufficient time to cool.
- The trim on the top and sides of the oven door may become hot enough to cause burns.
- Use care when opening the door. Open the door slightly to let hot air or steam escape before removing or replacing food.
- Do not heat unopened food containers. Buildup of pressure may cause the container to burst and result in injury.
- Always place oven racks in desired location while oven is cool. If a rack must be moved while oven is hot, do not let potholder contact the heating elements.
- Use only dry potholders. Moist or damp potholders on hot surfaces may result in burns from steam. Do not let potholders touch hot heating elements. Do not use a towel or other bulky cloth.

SAFETY PRECAUTIONS WITH SELF-CLEANING OVEN

- Confirm that the door locks and will not open once the door lock icon appears. If door does not lock, press OVEN OFF and do not run Self-Clean. Contact with an authorized Technical Center.
- Note: During a normal Self-Clean and a Delayed Self-Clean cycle, the door locks within 25 to 30 seconds after start is pressed.
- Do not clean the door gasket. It is essential for a good seal. Care should be taken not to rub, damage, move or remove the door gasket.
- Do not use commercial oven cleaners or oven liner protective coatings of any kind in or around any part of the oven.
- Clean only oven parts listed in this manual.
- Before self-cleaning the oven, **remove the broiler pan, all oven racks, other utensils and excess soft spillage.**
- Listen for fan. If no fan is heard, call for contact with an authorized Technical Center.

Getting Started

To Set the Clock:

1. **Press SET CLOCK.** The hours flash and **CLOCK** appears in the display.
2. **Press +** or **-** to set hour.
3. **Press SET CLOCK.** The minutes flash.
4. **Press +** or **-** to set minutes.
5. **Press SET CLOCK**

The clock appears in the display at all times except when the timer or a timed cooking operation is running.

To Use the Oven Lights:

1. **Press LIGHT** to turn the oven lights on or off.

Oven lights turn on automatically when:

- the door is opened.
- the oven is turned on.

Oven lights will turn off automatically when:

- the oven is turned off.
- the oven mode is cancelled.

The lights do not operate in the Self-Clean mode.

Getting Started

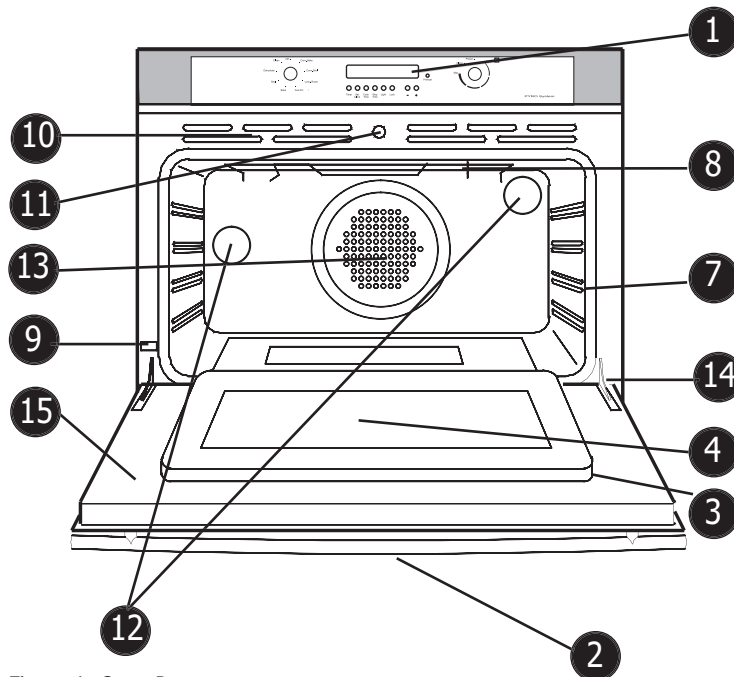


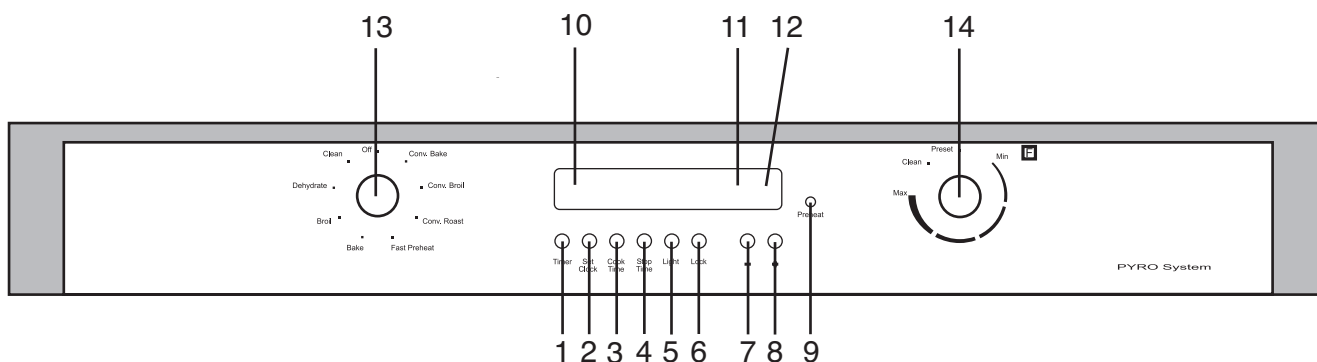
Figure 1: Oven Parts

Oven Parts and Accessories:

- | | |
|--|-------------------------------------|
| 1 Control Panel | 10 Oven Cooling Vents |
| 2 Door Handle | 11 Automatic Door Lock Latch |
| 3 Oven Door Gasket | 12 Halogen Oven Lights |
| 4 Window | 13 Convection Fan and Cover |
| 5 Removable Oven Racks
(not shown) | 14 Door Hinge |
| 6 Broil Pan and Grid (not shown) | 15 Removable Oven Door |
| 7 Rack Position Guides (4) | 16. Literature Pack |
| 8 Broil Element | |
| 9 Data Plate | |

Getting Started

Oven Control Panel



1. **TIMER:** Press to set or clear the timer.
2. **SET CLOCK:** Press to set or change the time of day.
3. **COOK TIME:** Press to set a timed cook mode.
4. **STOP TIME:** Press to set the stop time in a delayed cook mode.
5. **LIGHT:** Press to turn oven lights on or off.
6. **LOCK:** For single ovens, press and hold lock and + buttons at same time to turn safety lock on or off. For double ovens, press and hold + and - buttons to turn safety lock on or off (use Upper Lower button to select oven first). This function locks the oven door for safety purposes.
7. **- :** Press to decrease the time in one of the above functions by one minute at a time. Press and hold to increase by 10 minutes at a time.
8. **+:** Press to increase the time in one of the above functions by one minute at a time. Press and hold to increase by 10 minutes at a time.

Display

9. **PREHEAT LIGHT:** Lights up when oven is preheating
10. **TIME:** Green digits to left of display. Displays time of day and timer.
11. **TEMPERATURE:** Red digits to right of display. Displays the chosen temperature for the oven.
12. **LOCK ICONS:** Red icons display inside box icons. Indicates that door is locked.

Knobs

13. **MODE:** turn to choose cooking mode.
14. **TEMPERATURE:** turn to change oven temperature. When **PRESET** is selected, the default temperature is used.

Other Features

15. **BEEPS:** One beep signals that the entry is accepted, two beeps signals that the entry is invalid.
16. **F NUMBER CODES:** Appear in display when the control detects a problem in the oven or its electronics. See Self Help section, page 19, for more information.
17. **DEFAULT TEMPERATURES:** Each cooking mode has a default temperature that appears when the temperature knob is turned to **PRESET**. The default is the most common temperature for the mode.
18. **SABBATH MODE:** When activated, oven bakes for 72 hours before shutting off automatically. The mode is Sabbath compliant for religious faiths with "no work" requirements on Sabbath.

General Oven Tips

Suggestions for Use

- Use the cooking charts as a guide.
- Do not set pans on an open oven door.
- Use the interior oven light to view the food through the oven door window rather than opening the door frequently.
- Place pans in center of oven.

Advantages of Convection Cooking

- Even baking.
- Juices and flavors are sealed in.
- Air-leavened foods such as cream puffs, souffles, meringues and yeast breads are higher and lighter.
- Multiple rack cooking with no flavor transfer.
- No special bakeware required.
- Broiling thicker cuts of meat is possible with convection broil.
- Saves time and energy.

About Convection Cooking

Standard cooking modes (bake, broil, etc.) use heat radiated from one or more elements to cook food. Convection modes use both heat from the elements and a fan in the back of the oven to continuously circulate the heated air throughout the oven.

The result is faster, more even cooking. Convection modes seal in natural moisture and flavors and can also save time and energy since most foods can be cooked at lower temperatures and in less time (never reduce temperature when cooking meat).

Cook time is also reduced because multiple racks can be used at one time. Cook several sheets of cookies or several different dishes at the same time.

The oven also uses convection to dehydrate. The low heat from the elements is circulated through the oven by the convection fan to slowly remove moisture.

Refer to "Oven Modes" in this manual for further information on each convection mode.

Preheating the Oven

- Preheat the oven when using the bake and convection bake modes unless the recipe recommends otherwise.
- Use fast preheat mode to shorten preheat time.
- Selecting a higher temperature does not shorten the preheat time.
- Preheating is necessary for good results when baking cakes, cookies, pastries and breads.
- Place oven racks in their proper position before preheating.
- During preheat, the selected cooking temperature is displayed.
- A beep will confirm that the oven is preheated and the preheat light will turn off.
- When operating on 208 V, preheat time may be slightly longer.

Bakeware

- Glass baking dishes absorb heat. Reduce oven temperature 25° F when baking in glass.
- Use pans that give the desired browning. The type of finish on the pan will help determine the amount of browning that will occur.
- Shiny, smooth metal or light nonstick/anodized pans reflect heat, resulting in lighter, more delicate browning. Cakes and cookies require this type of bakeware.
- Dark, rough or dull pans will absorb heat resulting in a browner, crisper crust. Use this type for pies.
- For brown, crisp crusts, use dark nonstick/anodized or dark, dull metal utensils or glass bakeware
- Insulated baking pans may increase the length of cooking time.
- Do not cook with the empty broiler pan in the oven as this could change cooking performance. Store the broil pan outside of the oven.
- Use baking sheets that are 19"x14" or smaller for best results.

Oven Operation Overview:

Operation of the oven is through knobs and command buttons on the control panel.

Single oven models have one mode knob. Double oven models have two mode knobs (one for each oven).

Single oven models have one temperature knob.

The command buttons allow you to set the clock, the timer, the cook time (for timed and delayed cooking), the stop time (for delayed cooking) the oven lights and the child safety lock.

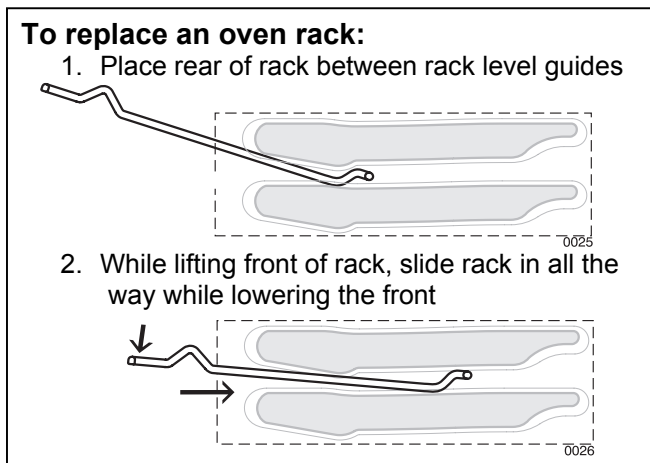
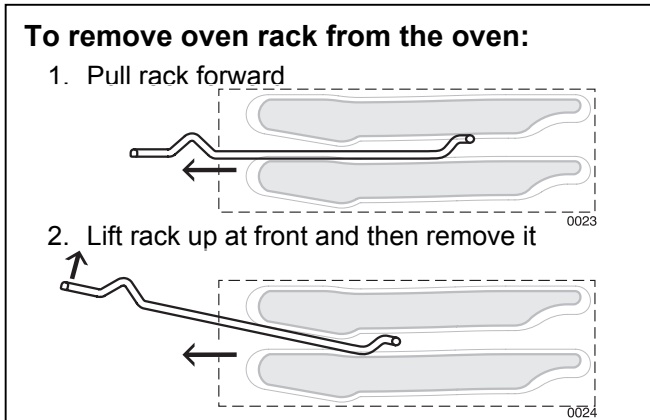
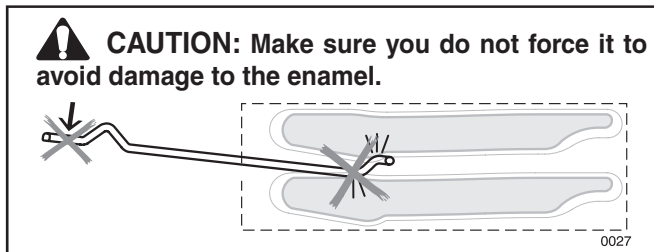
See the Control Panel/Display and Oven Operation sections for further details.

Operating the Oven

General Oven Tips

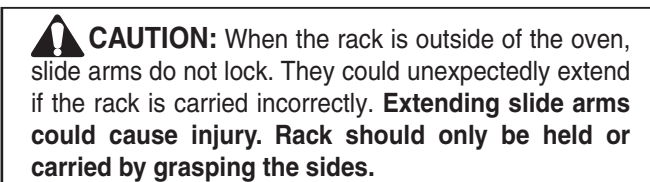
Oven Racks

- The oven has rack guides at four levels as shown in the illustration on page 7.
Rack positions are numbered from the bottom rack guide (#1) to the top (#4).
- Check cooking charts for best rack positions to use when cooking.
- Make sure that the racks are level once they are in position.
- The racks are designed to stop when pulled forward to their limit.
- **CAUTION!** Never use aluminum foil to cover the oven racks or to line the oven. Heat trapped under the foil can cause damage to the oven liner.



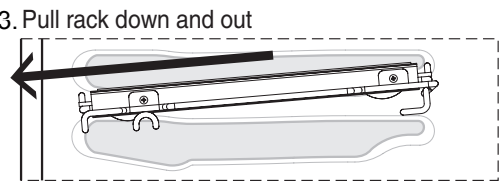
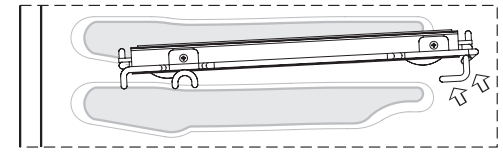
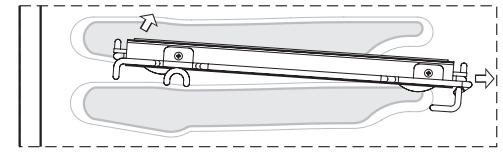
Oven Extendable Racks

- The extendable rack allows for easier access to food. It extends beyond the standard flat rack bringing the food closer to the user.



To remove extendable rack from the oven:

1. Lift of rack slightly and push it until the stop release
2. Raise back of rack until frame and stop clear rack guide
3. Pull rack down and out



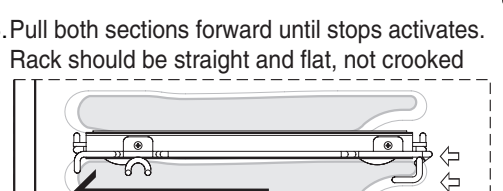
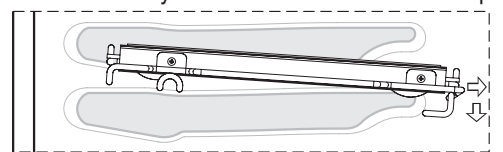
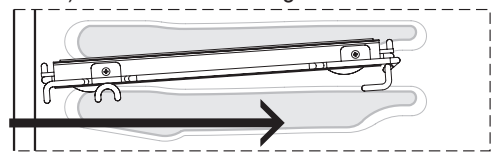
NOTE: Always remove the extendable rack before self-cleaning the oven.

CAUTION! To avoid burns, pull rack all the way out and lift pan above handle when transferring food to and from oven.

Please refer to illustration on Page 7 if there is any question as to which side is the front of the rack.

To replace an extendable rack:

1. Grasp rack firmly on both sides. Place rack (including frame) above desired rack guide
2. Push all the way in until the back of the rack drops into place
3. Pull both sections forward until stops activates. Rack should be straight and flat, not crooked



CAUTION: To avoid possible burns, place oven racks in desired positions before turning the oven on. Always use oven mitts when the oven is warm.

Operating the Oven

General Oven Tips

Selecting the Rack Position

See graphic at right.

Rack 4 - Highest position. Use for melting cheese quickly.

Rack 3 - Use for broiling most meats and for toasting bread.

Rack 2 - Use for pies, casseroles, breads, bundt or pound cakes, small roasts or poultry. Also use for broiling thicker cuts of meat.

Rack 1 - Lowest Position. Use for angel food cake, large roasts and turkey.

Using Multiple Racks

2 Rack baking: Use positions 1 and 3.

3 rack baking: Use positions 2, 3 and 4.

When baking four cake layers at the same time, stagger pans so that one pan is not directly above another. For best results, place cakes on front of upper rack and back of lower rack (See graphic at right). Allow 1" - 1 1/2" air space around pans.

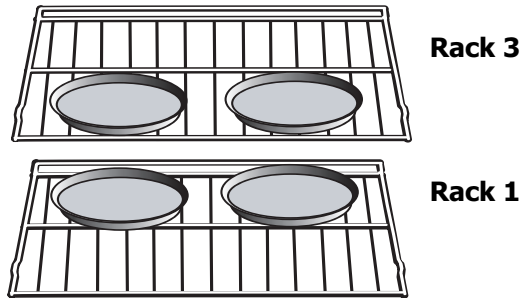


Figure 7: Multiple Rack Pan Placement

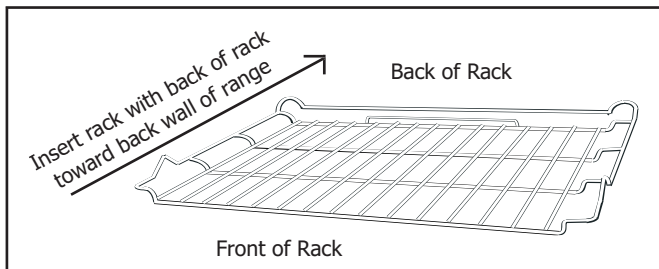


Figure 5: The Flat Rack

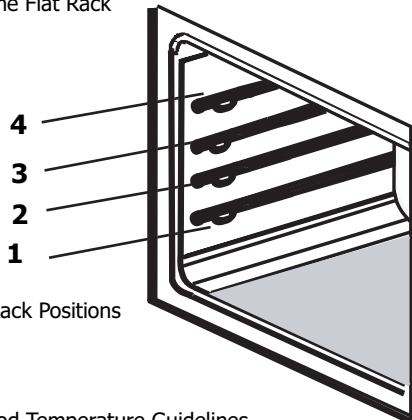


Figure 6: Rack Positions

Condensation

The oven vent is located above the oven door. It is normal to see steam escaping from the vent and condensation may collect on areas above the vent such as the display.

Temperature Sensor

Your new oven has an electronic temperature sensor that accurately maintains the temperature selected. Your previous oven may have had a mechanical thermostat that drifted gradually to a higher temperature. As a result, you may need to adjust your favorite recipes when cooking in your new oven.

High Altitude Baking

When cooking at high altitude, recipes and cooking time will vary from the standard. For accurate information, write to Extension Service, Colorado State University, Fort Collins, Colorado 80521. There may be a charge for the bulletins.



CAUTION:

Many factors affect cooking performance. Always check food for doneness before serving

Table 1: Food Temperature Guidelines

Food Serving Temperature Guidelines from FSIS (USDA Food Safety & Inspection Service)	
140° F (60° C) • Ham, precooked (to reheat)	165° F (74° C) • Ground Meat & Meat Mixtures (Turkey, Chicken) • Stuffing (cooked alone or in bird) • Leftovers & Casseroles
145° F (63° C) • Fresh Beef, Veal, Lamb (medium rare)	170° F (77° C) • Fresh Beef, Veal, Lamb (well done) • Poultry breasts • Fresh Pork (well done)
160° F (71° C) • Ground Meat & Meat Mixtures (Beef, Pork, Veal, Lamb) • Fresh Beef, Veal, Lamb (medium) • Fresh Pork (medium) • Fresh Ham (raw) • Egg Dishes	180° F (82° C) • Chicken and Turkey, (whole) • Poultry (thighs and wings) • Duck and Goose

Note: Eggs (alone, not used in a recipe) - cook until yolk & white are firm.

Operating the Oven

Setting the Oven

To Set the Cooking Mode:

1. **Turn mode knob** to select cooking mode.
2. **Turn temperature knob** to select temperature. Select PRESET to use the default temperature.

Red preheat light, oven light and oven fan turn on as oven preheats. When the preheat temperature is reached, the red preheat light shuts off and the oven beeps.

To Set the Timer:

1. **Press TIMER.** **TIMER** appears in the display.
2. **Press TIMER again.** The hours flash.
3. **Press +** or **-** to set hours.
4. **Press TIMER.** The minutes flash.
5. **Press +** or **-** to set minutes.
6. **Press TIMER.**

Beeps sound when the time ends.

TIP:

Hold the + or - key down to change time by 10 minute increments.

To Set the Cooking Mode using Fast Preheat:

1. **Turn mode knob** to **FAST PREHEAT**.
2. **Turn temperature knob** to select temperature.

Red preheat light, oven light and oven fan turn on as oven preheats. When the preheat temperature is reached, the red preheat light shuts off and the oven beeps.

3. **Turn knob to select cooking mode.**
4. Place food in oven.

REMINDER!

When using **fast preheat**, you must **select the cooking mode** after preheat and before placing food in the oven.

Timed Cooking Modes

Use timed cook to turn the oven off automatically after cooking. Delayed cook also turns the oven on automatically.

- The clock is set to the correct time of day.
- The timed mode turns off the oven at the end of the cook time.

To Set the Timed Mode:

1. **Turn knobs** to select the mode and temperature.
2. **Press COOK TIME twice.** The hours flash.
3. **Press +** or **-** to set number of hours.

Note: Time required for the oven to reach temperature must be included in the set cooking time.

4. **Press COOK TIME** again. Minutes flash.
5. **Press +** or **-** to change the number of minutes.
6. **Press COOK TIME** to confirm cooking time.

At the end of the programmed cooking time, the oven will automatically turn off.

To Set the Delayed Mode:

1. Follow steps 1 through 6.
2. **Press STOP TIME twice.** **DELAY** appears in the display. **STOP TIME** and the **hours** flash.
3. **Press +** or **-** to change the hours.
4. Press **STOP TIME** again. Minutes flash.
5. **Press +** or **-** to change the minutes.
6. Press **STOP TIME** to confirm stop time.

The oven automatically calculates the time of day to start.

At the end of the programmed cooking time, the oven turns off. Display shows **END** and the oven beeps. Reminder beeps sound and **COOK TIME** flashes.

TIP:

Press **COOK TIME** to view **timed mode** information.

Press **STOP TIME** to view **delayed mode** information.

Press **TIMER** to view **timer**.

Operating the Oven

Oven Modes

Bake

Baking is cooking with dry, heated air. Both the upper and lower elements cycle to maintain the oven temperature:

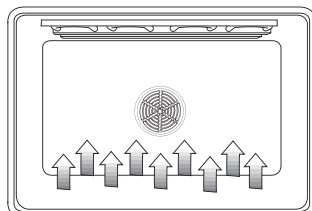


Figure 8: Bake

The bake mode can be used to prepare a variety of food items, from pastries to casseroles. It can also be used to roast meats.

For Best Results:

- When baking on two or more racks, use convection bake instead.

Convection Bake

Convection baking is similar to baking. In this case, heat comes from a third element behind the backwall. The main difference in convection baking is that the heat is circulated throughout the oven by the convection fan:

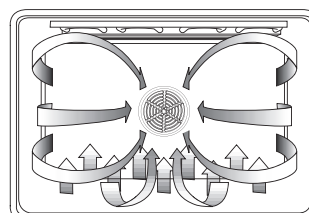


Figure 9: Convection Bake

The convection bake mode is well-suited for baking large quantities of food on multiple racks. It can be used to prepare cookies, pastries, breads, snack foods and appetizers among other items. **DO NOT** use convection bake for meats. Use convection roast instead.

The benefits of convection baking include:

- Slight decrease in cooking time
- Three rack cooking
- Higher volume (yeast items rise higher)
- More items cooked at once

For Best Results:

- Reduce recipe temperature by 25° F. Refer to the convection baking chart for examples.
- Place food in low-sided, uncovered pans such as cookie sheets without sides.
- Center baking pans side to side on the oven rack.
- Do not use convection bake for custards, quiches, pumpkin pie, or cheesecakes. These items do not benefit from the convection-heating process. Use standard bake instead.

Table 2: Convection Bake Chart

Food Item	Rack Position	Temp.* (preheated oven) (F°)	Convection Bake Time ** (min)
Cake			
Cupcakes	2	325	17-19
Bundt Cake	1	325	37-43
Angel Food	1	325	35-39
Pie			
2 crust, fresh, 9"	2	350 - 400	45-55
2 crust, frozen fruit, 9"	2	350	68-78
Cookies			
Sugar	2	325 - 350	6-11
Chocolate Chip	2	325 - 350	8-13
Brownies	2	325	29-36
Breads			
Yeast bread, loaf, 9x5	2	350	18-22
Yeast rolls	2	350 - 375	12-15
Quick Bread, loaf, 8x4	2	325 - 350	45-55
Biscuits	2	350 - 375	11-15
Muffins	2	400	15-19
Pizza			
Frozen	2	375 - 425	23-26
Fresh	2	400 - 425	12-15

* The convection bake temperature is 25° F less than recommended on packages or recipes. The temperature in this chart has been reduced 25° F.

** This chart is a guide. Actual times depend on the mixes or recipes baked. Follow recipe or package directions and reduce temperature appropriately.

*** When convection baking on two racks, use positions one and three. When using three racks, use positions two, three and four.

Quick Cooking Tips: Converting from standard bake to convection bake

- Reduce recipe temperature by 25° F.
- Check food for doneness early:

If recipe calls for ...	Check food ...
1 - 15 min.	3 min. early
16 - 30 min.	5 min. early
31 min. - 1 hr.	10 min. early

Operating the Oven

Oven Modes

Broil

Broiling uses intense heat radiated from the upper element:

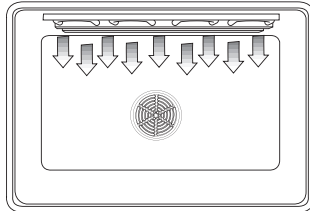


Figure 10: Broil

The broil mode is best suited to cook thin, tender cuts of meat (1" or less), poultry and fish. It can also be used to brown breads and casseroles.

The benefits of Broiling include:

- Fast and efficient cooking.
- Cooking without the addition of fats or liquids.
- Browning as the food cooks.

For Best Results:

- Do not preheat oven.
- Steaks and chops should be at least 3/4" thick.
- Brush fish and poultry with butter or oil to prevent sticking.
- Use the broil pan and grid included with your oven.
- Do not cover the broiler grid with foil. It is designed to drain fats and oils away from the cooking surface to prevent smoking and spattering.
- Turn meats once halfway through the recommended cooking time (see broil chart for examples).
- When top browning casseroles, use only metal or glass ceramic dishes such as Corningware®.
- Never use heat-proof glass (Pyrex®); it cannot tolerate the high temperature.

ALWAYS BROIL WITH THE DOOR CLOSED

Table 3: Broil Chart

Food and Thickness	Rack Position	Broil Setting	Internal Temp. (°F)	Time Side 1 (min)*	Time Side 2 (min)*
Beef Steak (3/4" - 1") Medium Rare	3	5	145	5-7	4-6
Medium	3	5	160	6-8	5-7
Well	3	5	170	8-10	7-9
Hamburgers (3/4" - 1") Well	3	5	160	7-9	5-7
Poultry Breast (bone-in) Thigh	3 3	3 3	170 180	14-16 14-16	14-16 11-13
Pork Pork Chops (1") Sausage - fresh Ham Slice (1/2")	3 3 3	5 5 5	160 160 160	7-9 5-7 3-5	5-7 3-5 4-6
Seafood Fish Filets, 1" Buttered	3	4	Cook until opaque & flakes easily with fork	10-14	Do not turn
Lamb Chops (1") Medium Rare Medium Well	3 3 3	5 5 5	145 160 170	5-7 6-8 8-10	4-6 5-7 7-9
Bread Garlic Bread, 1" slices	3	5		4-6	

Convection Broil

Convection broil is similar to broil. It combines the intense heat from the upper element with heat circulated by the convection fan:

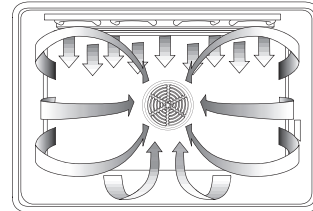


Figure 11: Convection Broil

The convection broil mode is well suited for cooking thicker, tender cuts of meat, poultry and fish. Convection Broil is typically not recommended for browning breads, casseroles and other foods.

The benefits of Convection Broiling, in addition to the benefits of standard broiling, include:

- Faster cooking than standard Broiling.

For Best Results:

- Do not preheat oven.
- Meats should be at least 1 1/2" thick.
- Turn meats once halfway through the cooking time (See Convection Broil Chart for examples).
- Use the broil pan and grid included with your oven.
- Do not cover the broiler grid with foil. It is designed to drain fats and oils away from the cooking surface to prevent smoking and spattering.
- Salt after cooking.

ALWAYS CONVECTION BROIL WITH THE DOOR CLOSED

Table 4: Convection Broil Chart

Food and Thickness	Rack Position	Broil Setting	Internal Temp. (°F)	Time Side 1 (min)*	Time Side 2 (min)*
Beef Steak (1-1/2" or more) Medium Rare	2	450	145	12-14	11-13
Medium	2	450	160	15-17	13-15
Well	2	450	170	18-20	16-17
Hamburgers (more than 1") Well	3	550	160	11-13	8-10
Poultry Chicken Quarters	3	450	180 (thigh)	13-15	10-12
Chicken Breasts	3	450	170	14-16	12-14
Pork Pork Chops (1 1/4" or more)	2	450	160	12-14	13-15
Sausage - fresh	3	450	160	4-6	3-5

*Broiling and convection broiling times are approximate and may vary slightly.

Operating the Oven

Oven Modes

Convection Roast

Convection roast uses heat from the top and bottom elements as well as heat circulated by the convection fan:

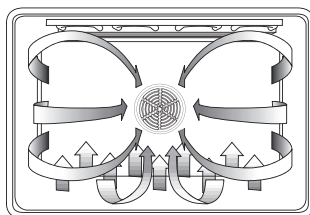


Figure 12: Convection Roast

The convection roast mode is well suited for preparing tender cuts of meat and poultry.

The benefits of convection roasting, include:

- As much as 25% faster cooking than standard Roasting/ Baking
- Rich, golden browning

For Best Results:

- Use the same temperature as indicated in the recipe.
- Check doneness early as roasting time may decrease by as much as 25%. Refer to convection roast chart for examples.
- Do not cover meat or use cooking bags.
- Use the broil pan and grid provided with the oven for roasting. A low-sided, uncovered pan can also be used.
- Use a meat thermometer to determine the internal temperature of the meat.
- If the meat is browned to your liking, but is not yet done, a small strip of foil can be placed over the meat to prevent overbrowning.
- Let meat stand covered with foil 10-15 minutes after removing from the oven.

Table 5: Convection Roast Chart

Meats	Weight (lb)	Oven Temp. (°F)	Rack Position	Roasting Time* (min per lb)	Internal Temp. (°F)
Beef Rib Roast	4 - 6	325	2	24-30 27-33	145 (med rare) 160 (medium)
Rib Eye Roast, (boneless)	4 - 6	325	2	22-30 27-33	145 (med rare) 160 (medium)
Rump, Eye, Tip, Sirloin (boneless)	3 - 6	325	2	22-28 27-33	145 (med rare) 160 (medium)
Tenderloin Roast	2 - 3	425	2	15-25	145 (med rare)
Pork Loin Roast (boneless or bone-in)	5 - 8	350	2	20-30	160 (medium)
Shoulder	3 - 6	350	2	25-35	160 (medium)
Poultry Chicken - whole	3 - 4	375	2	12-18	180
Turkey, unstuffed**	12-15	325	1	10-14	180
Turkey, unstuffed**	16-20	325	1	9-11	180
Turkey, unstuffed**	21-25	325	1	6-10	180
Turkey Breast	3 - 8	325	1	15-20	170
Comish Hen	1 - 1 ½	350	2	45-75 total	180
Lamb Half Leg	3 - 4	325	2	25-30 30-35	160 (medium) 170 (well)
Whole Leg	6 - 8	325	1	25-30 30-35	160 (medium) 170 (well)

*Roasting times are approximate and may vary depending on the shape of the meat. They are based on thawed meats.

**Stuffed turkey requires additional roasting time. The minimum safe temperature for stuffing in poultry is 165° F

Quick and Easy Cooking Tips: Converting from standard bake to convection roast

- DO NOT change recipe temperature.
- Use roasting times in chart at right.

Operating the Oven

Oven Modes

Dehydrate

Dehydrate dries foods with heat from a third element behind the back wall of the oven. The heat is circulated throughout the oven by the convection fan.

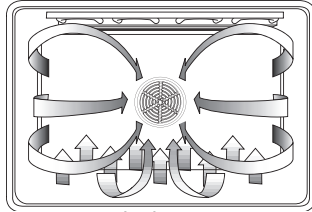


Figure 13: Dehydrate

Dehydrating is used to dry and/or preserve foods such as fruits, vegetables and herbs. This mode holds an optimum low temperature (120° F - 160° F) while circulating the heated air to slowly remove moisture.

For Best Results:

- Dry herbs at 120° F. Dry most fruits and vegetables at 140° F. (Refer to the dehydrate chart for examples).
- Drying times vary depending on the moisture and sugar content of the food, the size of the pieces, the amount being dried and the humidity in the air. Check food at the minimum drying time.
- Multiple racks can be used simultaneously.
- Treat fruits with antioxidants to avoid discoloration.
- Consult a food preservation book, county Cooperative Extension Office or library for additional information.

Table 6: Dehydrate Chart

Food	Preparation	Approximate Drying Time*(hrs)	Test for Doneness
Fruit Apples	Dipped in ¼ cup lemon juice and 2 cups water; ¼" slices	11-15	Slightly pliable
Bananas	Dipped in ¼ cup lemon juice and 2 cups water; ¼" slices	11-15	Slightly pliable
Cherries	Wash and towel dry. For fresh cherries, remove pits	10-15	Pliable, leathery, chewy
Orange Peels and slices	¼" slices of orange; orange part of skin thinly peeled from oranges	Peels: 2-4 Slices: 12-16	Orange peel: dry and brittle. Orange slices: skins are dry and brittle, fruit is slightly moist
Pineapple rings	Towel dried	Canned: 9-13 Fresh: 8-12	Soft and pliable
Strawberries	Wash and towel dry. Sliced ½" thick, skin (outside) down on rack	12-17	Dry, brittle
Vegetables Peppers	Wash and towel dry. Remove membrane of peppers, coarsely chopped about 1" pieces	16-20	Leathery with no moisture inside
Mushrooms	Wash and towel dry. Cut off stem end. Cut into 1/8" slices	7-12	Tough and leathery, dry
Tomatoes	Wash and towel dry. Cut thin slices, 1/8" thick, drain well.	16-23	Dry, brick red color
Herbs Oregano, sage parsley and thyme, and fennel	Rinse and dry with paper towel	Dry at 120°F 3-5 hrs	Crisp and brittle
Basil	Use basil leaves 3 to 4 inches from top. Spray with water, shake off moisture and pat dry	Dry at 120°F 3-5 hrs	Crisp and brittle

Oven will stay on for 48 hours before shutting off automatically.

Care and Maintenance

Self-Cleaning

During self-clean, the oven uses a very high temperature to burn away food soil and grease.

- As a safety feature, the oven door locks during self-clean to protect from very high temperatures. Do not try to open the oven during self-clean mode.
- It is common to see smoke and/or an occasional flame-up during the self-clean mode, depending on the content and amount of soil remaining in the oven. If a flame persists, turn off the oven and allow it to cool before opening the door to wipe up the excessive food soil.
- The oven light does not operate when the oven is in the self-clean mode.
- Do not use commercial oven cleaners as they may damage finish or parts.
- Heat and odors are normal during the self-clean cycle. Keep the kitchen well ventilated.

NOTE: Due to the high temperatures used for self-cleaning, fine lines or surface roughness may develop in oven cavity. This is a common condition and does not affect either the cooking or the cleaning performance of the oven.

Before You Self-Clean

1. Hand clean the oven door edge, window, oven front frame and oven cavity edges (see figures below). They do not get hot enough during the cleaning cycle for soil to burn away. Use a soapy sponge or a plastic scrubber. **DO NOT RUB THE GASKET.**
2. Wipe up large overspills and grease with paper towels.
3. Remove broiler pan, all utensils and bakeware.
4. **Remove oven racks.** If the oven racks are left in the oven during a self-cleaning cycle, they will lose their shiny finish and will not glide smoothly in the rack guides. See "Cleaning Oven Surfaces, page 15 for proper care .
5. Be sure the light is turned off on the control panel and the bulb and glass cover are in place.

After Self-Clean

- The self-clean mode may produce ash which will settle in the oven. If this happens, remove ash with a damp cloth before using the oven.
- Wipe rack edges with cooking oil to allow for proper glide. Wipe off excess.

IMPORTANT: Be sure to let the inside window glass in the oven door cool completely before wiping up any ash left from the clean cycle.

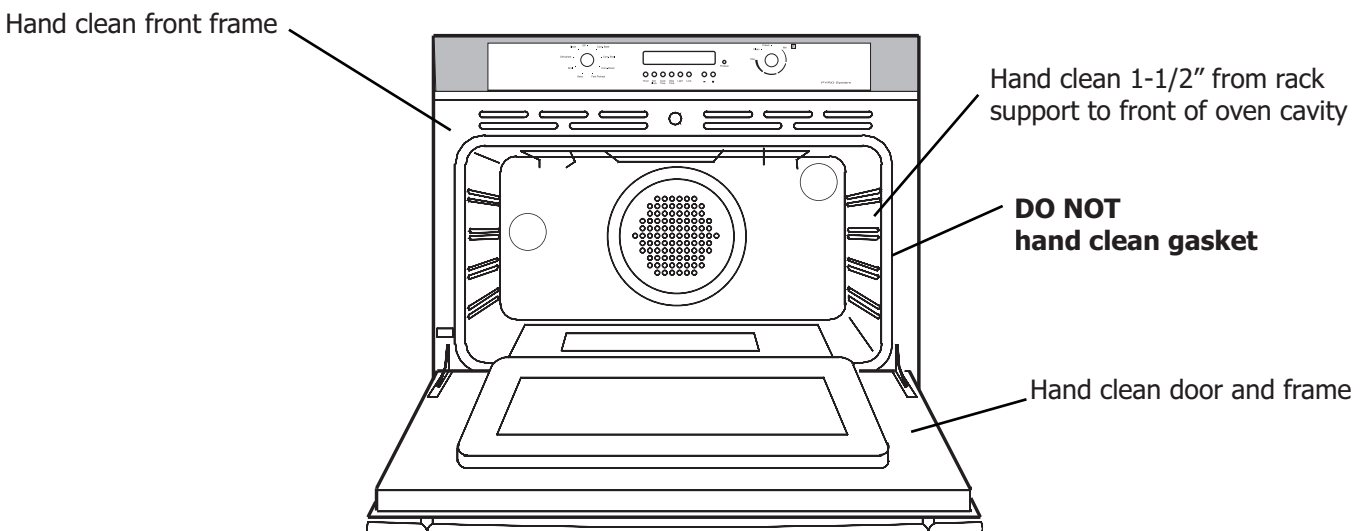


Figure 14: Before Self-Cleaning

Care and Maintenance

Self-Cleaning

To Set the Self-Clean Mode:

1. Remove oven racks and close oven door.
2. **Turn both knobs to CLEAN.**

NOTE:

If the door is open when the self-clean mode is selected, the lock symbol will continue to flash. Self-clean will not start until the door is closed.

CLEAN and **TIME** appear in the display.

The oven will clean for three hours. At the end of the programmed cleaning time the oven will automatically turn off.

END will appear on the display. **CLEAN** and **TIME** will flash until any button is pressed or the knob is turned to **OFF**.

To Change the Clean Time

The preset clean time is three hours. For light soil, use two hours, for heavy soil use four hours.

1. Set self-clean mode as explained above.
2. **Press COOK TIME.**
3. **Press +** or **-** to change the number of hours.
4. **Press COOK TIME twice.**

To Delay the Start of the Clean

Note: The time of day must be accurate for the delay function to work properly.

1. Set self-clean mode as explained above.
2. Change clean time as explained above (if desired).
3. Set the time the oven will start self-cleaning:

Press STOP TIME twice.

Press + or **-** to set hours.

Press STOP TIME.

Press + or **-** to set minutes.

Press STOP TIME.

The oven door locks and **DELAY** appears in the display.

4. When the delay time ends, self-clean starts.

At the end of the programmed cleaning time, the oven will automatically turn off.

END will appear on the display. **CLEAN** and **TIME** will flash until any button is pressed or the knob is turned to **OFF**.

TO CANCEL:

To cancel the self-clean, turn knob to OFF. The oven door will remain locked until the oven has reached a safe temperature.

About the Door Lock:

Do not attempt to open the door while the door is locking.

Lock symbol will flash until the door is locked. When the lock symbol is displayed, the door cannot be opened.

Check that the door has been locked and will not open before starting self-clean mode.

If door does not lock, turn the mode knob to OFF position and do not start self-clean; Contact an authorized Technical Center.

TIP:

To check the **delayed clean time** press **COOK TIME**.

To check the **time remaining before the delayed mode starts**, press **STOP TIME**.

Care and Maintenance

Cleaning Oven Surfaces

Table 7: Oven Surface Cleaning Methods

Surface	Cleaning Method
Racks pow(Oven mode, rack)	Wash with hot sudsy water. Rinse thoroughly and dry, or gently rub with cleansing der or soap filled pads as directed. If racks are cleaned in the oven during the self-clean they will lose their shiny finish and may not glide smoothly. If this happens, wipe the edges with a small amount of vegetable oil, then wipe off excess.
Fiberglass Knit (Gasket)	DO NOT HAND CLEAN GASKET.
Glass (Window, Display)	Wash with soap and water or glass cleaner. Use a suitable cleaning product to remove grease spatters and stubborn stains.
Painted paper (Exterior)	Clean with hot sudsy water or apply a suitable cleaning product to a clean sponge or towel and wipe clean. Avoid using powdered cleansers, steel wool pads and oven cleaners.
Porcelain (Interior)	Immediately wipe up acid spills like fruit juice, milk and tomatoes with a dry towel. Do not use a moistened sponge/towel on hot porcelain. When cool, clean with hot sudsy water or apply a suitable cleaning product to a damp sponge. Rinse and dry. For stubborn stains, gently use soap filled pads. It is normal for porcelain to craze (fine lines) with age due to exposure from heat and food soil.
Stainless Steel (Exterior)	Always wipe or rub with grain. Clean with a soapy sponge then rinse and dry, or wipe with a suitable cleaning product sprayed onto a paper towel. Protect and polish with a suitable cleaning product and a soft cloth. Remove water spots with a cloth dampened with white vinegar. Use a suitable product to remove heat discoloration.
Plastic (Knobs, Controls)	When cool, clean with soapy water, rinse and dry.

Replacing the Oven Light

- Each oven is equipped with two halogen lights located in the back wall of the oven.
- The lights are switched on when the door is opened or when the oven is in a cooking cycle.
- The oven lights do not operate during self-clean.
- Each light assembly consists of a removable lens, a light bulb and a light socket housing that is fixed in place (see Figure 17, next page).

To replace a light bulb (see figure 17, next page):

1. Read WARNING on this page.
2. Turn off power at the main power supply (fuse or breaker box).
3. Unscrew lens and remove.
4. Pull straight out on light bulb to remove from socket.
5. Replace the bulb with a new one. Avoid pressing the bulb with fingers; Oils from hands can damage the bulb when it becomes hot
6. The bulb is halogen: use one with the same Volt and Watt.
7. Screw the lens back on.
8. Replace the fan cover (if applicable).
9. Turn power back on at the main power supply (fuse or breaker box).

WARNING

- Make sure the oven and lights are cool and power to the oven has been turned off before replacing the light bulb(s). Failure to do so could result in electrical shock or burns.
- The lenses must be in place when using the oven.
- The lenses serve to protect the light bulb from breaking.
- The lenses are made of glass. Handle carefully to avoid breaking. Broken glass could cause an injury.

Care and Maintenance

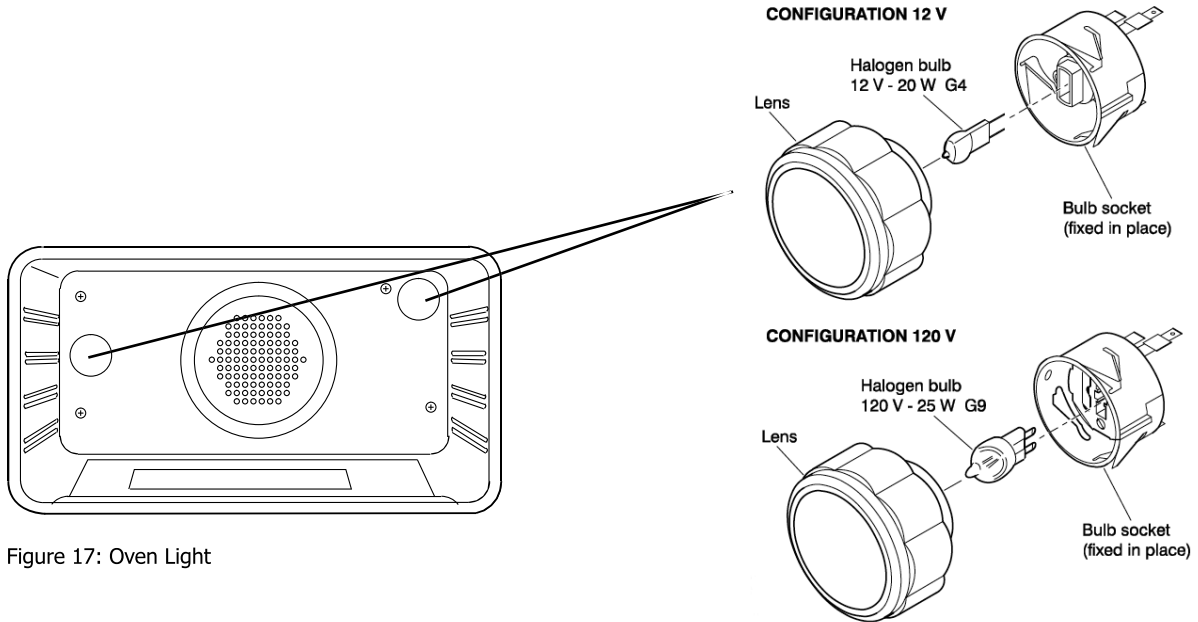


Figure 17: Oven Light

Removing the Oven Door

WARNING

- Make sure oven is cool and power to the oven has been turned off before removing the door. Failure to do so could result in electrical shock or burns.
- The oven door is heavy and fragile. Use both hands to remove the oven door. The door front is glass. Handle carefully to avoid breaking.
- Grasp only the sides of the oven door. Do not grasp the handle as it may swing in your hand and cause damage or injury.
- Failure to grasp the oven door firmly and properly could result in personal injury or product damage.

WARNING

To avoid injury from hinge brackets snapping closed, be sure that both levers are securely in place before removing door. Also, do not force door open or closed - the hinge could be damaged and injury could result.

To Remove The Oven Door:

1. Be sure to read the above WARNING before attempting to remove oven door.
2. Open door completely.
3. Lift hinge brackets (one on each side) into slots (see Figure 15).
4. Close door slightly until hinge brackets lock into place.
5. Close door about halfway (until it stops).
6. Grasp firmly on both sides.
7. Pull out and up. Place door in a stable location.

To Reinstall the Oven Door:

1. Holding door firmly on both sides, drop hinges down and into hinge slots.
2. Open door completely so that hinge brackets (one on each side) release.
3. Open and close the door slowly and completely to test the installation.

The door should close easily and be straight, not crooked.

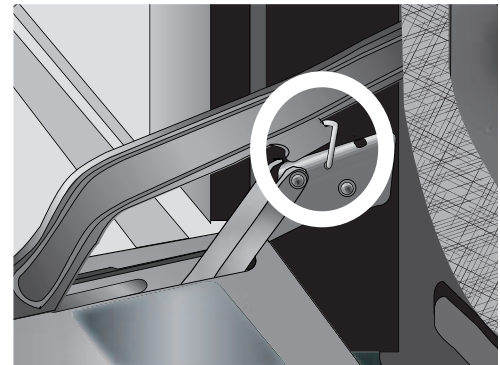


Figure 15: Hinge Bracket Locked Into Place

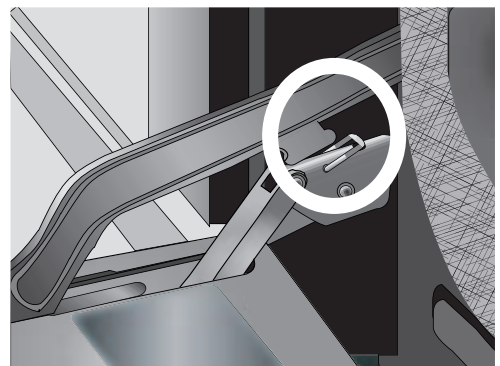


Figure 16: Hinge Bracket Released

Care and Maintenance

Do-It-Yourself Procedures

To Activate Sabbath Mode:

When activated, oven bakes for 72 hours before shutting off automatically. The mode is Sabbath compliant for religious faiths with "no work" requirements on Sabbath.

1. **Touch and hold SET CLOCK** and **TIMER** until **SELE dEG** is shown.
2. **Press +** or **-** until **SAb** appears.
3. **Press SET CLOCK.**
4. **Press +** or **-** to select format (choose ON to activate Sabbath mode; choose OFF to turn it off).
5. **Hold SET CLOCK** until clock appears in display.
There is a five minute delay in which the following can be set:
6. **Turn knob** to **BAKE.**
7. **Turn knob** to set **TEMPERATURE.**
8. **Press LIGHT** to turn oven lights on or off.
9. After 5 minutes, the Sabbath mode is activated. The temperature no longer shows in the display. Only the time, "**SAb**" and the oven icon(s) are present. The preheat lights and all beeps are also disabled.
The oven lights cannot be changed after the Sabbath mode starts.
The Sabbath mode automatically cancels after 72 hours. To cancel the Sabbath mode early, turn the mode knob to **OFF.**

To Change Temperature Calibration:

The electronic thermostat has been carefully calibrated; However, if the browning results are too light or too dark for your preferences, you can raise or lower the setting.

1. **Touch and hold SET CLOCK** and **TIMER** until **SELE dEG** is shown.
2. **Press +** or **-** until **OFS** appears.
3. **Press SET CLOCK.**
4. **Press UPPER LOWER** to select oven (double ovens only).
5. **Press +** or **-** to set the number of degrees difference.
6. **Hold SET CLOCK** until clock appears in display.
NOTE: The available temperature offset range + or - 35°F. A change in the calibration affects all modes.

To Change Operating Voltage

The oven is preset for use with 240 VAC. If your residence has 208 VAC, the oven voltage can be changed.

208 V conversion must be done by a qualified technician. Contact your local appliance dealer or with an authorized Technical Center.

To Change Clock Format

The oven is preset with a 12-hour clock format; However, it can also display a 24-hour clock.

1. **Touch and hold SET CLOCK** and **TIMER** until **SELE dEG** is shown.
2. **Press +** or **-** until **Hr** appears.
3. **Press SET CLOCK.**
4. **Press +** or **-** to select format (choose 12 for 12-hour format; choose 24 for 24-hour format).
5. **Hold SET CLOCK** until clock appears in display.

To Change Temperature Format:

The oven has been preset to a Fahrenheit temperature format; However, it can also use a Celsius temperature format.

1. **Touch and hold SET CLOCK** and **TIMER** until **SELE dEG** appears.
2. **Press SET CLOCK.**
3. **Press +** or **-** to select format (choose °C for Celsius; choose °F for Fahrenheit).
4. **Hold SET CLOCK** until clock appears in display.

Self Help - Baking

Check the chart below for causes of the most common baking problems. Since the size, shape and material of baking utensils directly affect the baking results, the best solution may be to replace old baking utensils that have darkened and warped with age and use. Also check the convection baking chart on page 9, the rack position and the baking time.

Table 8: Self Help - Baking

Baking Problem	Cause
Food browns unevenly	<ul style="list-style-type: none"> - Oven not preheated - Aluminum foil on oven rack or oven bottom - Baking utensil too large for recipe - Pans touching each other or oven walls
Food too brown on bottom	<ul style="list-style-type: none"> - Oven not preheated - Using glass, dull or darkened metal pans - Incorrect rack position - Pans touching each other or oven walls
Food is dry or has shrunk excessively	<ul style="list-style-type: none"> - Oven temperature too high - Baking time too long - Oven door opened frequently - Pan size too large
Food is baking or roasting too slowly	<ul style="list-style-type: none"> - Oven temperature too low - Oven not preheated - Oven door opened frequently - Tightly sealed with aluminum foil - Pan size too small
Pie crusts do not brown on bottom or have soggy crust	<ul style="list-style-type: none"> - Baking time not long enough - Using shiny steel pans - Incorrect rack position - Oven temperature is too low
Cakes pale, flat and may not be done inside	<ul style="list-style-type: none"> - Oven temperature too low - Incorrect baking time - Cake tested too soon - Oven door opened too often - Pan size too large
Cakes high in middle with crack on top	<ul style="list-style-type: none"> - Baking temperature too high - Baking time too long - Pans touching each other or oven walls - Incorrect rack position - Pan size too small
Pie crust edges too brown	<ul style="list-style-type: none"> - Oven temperature too high - Edges of crust too thin

Self Help - Operation

Before calling for service, check the following:

Table 9: Self Help - Operation

Oven Problem	Problem Solving Steps
F03 or F04 Error appear in the display window.	A problem with the lock occurred. Turn power off and turn it back on again after a few seconds. The oven should run a latch auto-test. If condition persists, note the code number and call an authorized technician.
Other F__ Error appears in the display window.	Turn power off and turn it back on again after a few seconds. If condition persists, note the code number and call an authorized servicer.
The oven display stays OFF	Turn off power at the main power supply (fuse or breaker box). Turn breaker back on. The oven should reset itself and will be operable. If condition persists, call an authorized service center.
Cooling fan continues to run after oven is turned off	This is normal. The fan turns off automatically when the electronic components have cooled sufficiently.
Oven door is locked and will not release, even after cooling	Turn the oven off at the circuit breaker and wait a few seconds. Turn breaker back on. The oven should reset itself and will be operable.
Oven is not heating	Make sure the oven temperature has been selected. Check the circuit breaker or fuse box to your house. Make sure there is proper electrical power to the oven.
Oven is not cooking evenly	Check oven calibration. Adjust calibration if necessary (see Oven Offset, Page 17). Refer to cooking charts for recommended rack position. Always reduce recipe temperature by 25°F when baking with convention bake mode.
Oven temperature is too hot or too cold	The oven thermostat needs adjustment. See Calibrating Oven Temperature, Page 17.
Oven light is not working properly	Replace or reinsert the light bulb if loose or defective. See Page 15. Touching the bulb with fingers may cause the bulb to burn out.
Oven light stays on	Oven light comes on automatically when oven begins heating. Press LIGHT to turn oven light off. If oven is off, check for obstruction in oven door or check to see if hinge is bent.
Cannot remove lens cover on light	There may be soil build-up around the lens cover. Wipe lens cover area with a clean dry towel prior to attempting to remove the lens cover.
Oven will not self-clean properly	Allow the oven to cool before running self-clean. Always wipe out loose soil or heavy spills before running self-clean. If oven is badly soiled, set oven for a four-hour Self-Clean. See Self-Cleaning, Page 13.
Clock and timer are not working properly	Make sure there is proper electrical power to the oven. See the Clock and Timer sections on Pages 2 and 8.
Excessive moisture	When using bake mode, preheat the oven first. Convection bake will eliminate any moisture in oven (this is one of the advantages of convection).
Porcelain chips	When oven racks are removed and replaced, always tilt racks upward and do not force them to avoid chipping the porcelain.

Table des matières

Instructions de sécurité importantes	1	Modes four	
Mise en oeuvre		Cuisson	9
Pour régler la pendule	2	Cuisson à convection	9
Pour utiliser l'éclairage du four	2	Gril	10
Pièces et accessoires	3	Gril à convection	10
Panneau de contrôle	4	Rôtissage à convection	11
Affichage	4	Déshydratation	12
Boutons	4	Autonettoyage	13
Autres caractéristiques	4	Entretien	
Conseils généraux		Pour remplacer l'ampoule	15
Suggestions d'utilisation	5	Nettoyage des surfaces du four	15
Avantages de cuisson à convection	5	Retrait de la porte du four	16
Concernant la cuisson à convection	5	Marches à suivre à faire soi-même	
Généralités du fonctionnement du four	5	Pour actionner le mode Sabbath	17
Préchauffage du four	5	Changer le format pendule	17
Plats de cuisson	5	Pour changer le format température	17
Grilles de four	6	Pour changer la calibration de température	17
Grille rallonge	6	Changer la tension de fonctionnement	17
Sélection de la position de la grille	7	Aide	
Utilisation de plusieurs grilles	7	Problème de cuisson	18
Condensation	7	Fonctionnement	19
Capteur de température	7		
Cuisson à haute altitude	7		
Guide de température de service	7		
Réglage du four			
Réglage du mode de cuisson	8		
Réglage de la minuterie	8		
Réglage du mode cuisson avec préchauffage rapide	8		
Modes de cuisson minutée	8		
Réglage du mode minuté	8		
Réglage du mode différé	8		

Mise en oeuvre



Instructions de sécurité importantes

Lire toutes les instructions avant d'utiliser l'appareil

Lorsque entretenu adéquatement, ce nouveau four Fagor est conçu pour la fiabilité et la sécurité.

Lire attentivement toutes les instructions avant d'utiliser le four. Ces précautions permettent de réduire le risque de brûlures, de chocs électriques, d'incendie et de blessures. Au moment d'utiliser un appareil de cuisine, les précautions de sécurité de base doivent être observées, incluant ce qui suit :

- Cet appareil doit être adéquatement installé et mis à la terre adéquatement par un technicien qualifié. Brancher seulement sur une prise mise à la terre. Voir les instructions de connexions et de préparation électrique dans les instructions d'installation.
- Le service de cet appareil doit être effectué seulement par un technicien qualifié. Communiquer avec un centre de service autorisé pour vérification, réparation ou réglage.
- Ne pas réparer ni remplacer toute pièce du four à moins qu'il ne soit indiqué spécifiquement indiqué. Référer tout service à un centre de service autorisé.
- Ne pas utiliser cet appareil s'il ne fonctionne pas adéquatement ou s'il a été endommagé tant qu'un technicien qualifié ne l'a pas vérifié.
- Installer cet appareil conformément aux instructions d'installation.
- Utiliser ce four seulement pour l'usage auquel il est destiné par le fabricant. Pour toute question, communiquer avec le fabricant.
- Ne pas couvrir ni obstruer les ouvertures de cet appareil.
- Utiliser cet appareil seulement pour l'usage auquel il est destiné décrit dans ce guide. Ne pas utiliser de produits chimiques corrosifs, vapeurs ou non alimentaires dans cet appareil. Ce type de four est conçu spécifiquement pour chauffer et cuire. Il n'est pas conçu pour une utilisation commerciale ou en laboratoire. L'utilisation de produits chimiques corrosifs pour le chauffage et le nettoyage endommagera cet appareil.
- Si les vêtements d'une personne ou les cheveux prennent feu, SE LAISSER TOMBER ET ROULER IMMÉDIATEMENT pour éteindre les flammes.
- Ce four est conçu pour une utilisation résidentielle seulement. Il n'est pas approuvé pour une utilisation extérieure.

CONCERNANT LES OISEAUX DOMESTIQUES

Les oiseaux ont un système respiratoire sensible. Garder les oiseaux domestiques hors de la cuisine ou d'autres pièces où les émanations de la cuisine peuvent les atteindre. Pendant le mode autonettoyage, les émanations peuvent être nocives pour les oiseaux. D'autres émanations comme la margarine surchauffée et les huiles de cuisson peuvent aussi être dangereuses.

- Ne pas laisser les enfants utiliser cet appareil sans une supervision accrue d'un adulte. Enfants et animaux ne doivent pas être laissés seuls ou sans surveillance dans la zone où est installé le four. Ne jamais laisser les enfants s'asseoir ou se tenir debout sur toute pièce du four.
- Ne pas ranger des articles d'intérêt pour les enfants au-dessus du four. Si les enfants grimpent sur l'appareil pour atteindre ces objets, ils peuvent se blesser sérieusement.

Pour réduire le risque d'incendie dans la cavité du four :

1. Ne pas ranger des matériaux inflammables dans ou près du four.
2. Ne pas utiliser d'eau sur un feu de graisse. Éteindre le feu ou utiliser un extincteur de type à mousse ou chimique à sec.
3. Avoir un extincteur visible à proximité de l'appareil de cuisson. S'assurer de savoir s'en servir.
4. Ne pas surcuire les aliments. Surveiller le four si des matériaux combustibles, papier ou plastique sont placés dans le four.
5. Ne pas utiliser la cavité du four à des fins de rangement. Ne pas laisser d'articles en papier, ustensiles de cuisson ou d'aliments dans la cavité si non utilisée.
6. Si des matériaux à l'intérieur du four s'enflamment, laisser la porte fermer. Fermer le four et débrancher le circuit au coupe-circuit à la boîte du coupe-circuit.
7. Ne pas obstruer les ouvertures d'évent.
8. S'assurer que le ventilateur fonctionne lorsque le four est actionné. Si il ne fonctionne pas, ne pas utiliser le four. Téléphoner à un centre de service autorisé.
9. Ne jamais utiliser le four pour chauffer ou réchauffer une pièce. Ceci peut endommager les pièces du four.
10. Pour la sécurité personnelle, porter des vêtements appropriés. Des vêtements lâches, de grandes manches ne doivent jamais être portés si l'on utilise le four.



AVERTISSEMENT

La loi applicable sur les produits toxiques et l'eau potable de Californie requiert que les compagnies avisent les clients sur une exposition potentielle aux substances connues par l'état de Californie comme causant le cancer ou un risque de reproduction.

L'élimination de résidus pendant l'autonettoyage génère certains sous produits qui sont sur la liste des substances.

Afin de minimiser l'exposition à ces substances, toujours actionner le four conformément aux instructions de ce guide et assurer une bonne ventilation de la pièce pendant et immédiatement après l'autonettoyage du four.

Suite à la page suivante

Mise en oeuvre



Instructions de sécurité importantes

Lire toutes les instructions avant d'utiliser l'appareil

PRÉCAUTIONS DE SÉCURITÉ

- Attacher les cheveux longs.
- Les éléments chauffants peuvent être chauds même s'ils sont de couleur foncée. Les surfaces intérieures deviennent assez chaudes pour causer des brûlures.
- Pendant et après l'utilisation, ne pas presser ni laisser des matériaux inflammables ou des vêtements entrer en contact avec les éléments chauffants ou les surfaces intérieures tant qu'ils n'ont pas suffisamment refroidis.
- La garniture sur le dessus et les côtés de la porte du four peut devenir suffisamment chaude pour causer des brûlures.

légèrement pour laisser la chaleur et la vapeur s'échapper avant d'enlever ou de remettre des aliments.

- Ne pas chauffer des contenants d'aliments non ouverts. L'accumulation de pression peut faire exploser le contenant et causer des blessures.
- Toujours placer les grilles à l'endroit désiré lorsque le four est froid. Si la grille doit être enlevée pendant que le four est chaud, les mouffes ne doivent pas entrer en contact avec les éléments chauffants.
- Utiliser seulement des mouffes sèches. Humides ou mouillées sur les éléments chauffants, cela peut causer des brûlures par la vapeur. Elles ne doivent pas entrer en contact avec les éléments chauffants. Ne pas utiliser une serviette ou un chiffon.

PRÉCAUTIONS AVEC UN FOUR AUTONETTOYANT

- S'assurer que la porte est verrouillée et qu'elle ne s'ouvrira pas lorsque l'icône de verrouillage s'affiche. Si elle ne se verrouille pas, presser OVEN OFF (four arrêté) et ne pas actionner le four. Communiquer avec un centre de Service Autorisé
- Remarque : pendant l'autonettoyage normal et l'autonettoyage différé, la porte se verrouille de 25 à 30 secondes après avoir pressé START (marche).
- Ne pas nettoyer le joint de la porte. Il est essentiel pour une bonne étanchéité. Il faut faire attention à ne pas frotter, endommager, déplacer ou enlever le joint de porte.
- Ne pas utiliser de produits nettoyants pour le four de type commercial ni d'enduit protecteur sur ou autour des pièces du four.
- Nettoyer seulement les pièces indiquées dans ce guide.
- Avant d'autonettoyer le four, enlever lèchefrite, toutes les grilles, ustensiles et excès de déversement mou.
- Écouter le ventilateur. S'il n'y a pas de bruit, communiquer avec un centre de Service Autorisé.

Mise en oeuvre

Pour régler la pendule

1. **Presser SET CLOCK (réglage pendule).** L'heure clignote et CLOCK (pendule) figure à l'affichage.
2. **Presser +** ou **-** pour régler l'heure.
3. **Presser SET CLOCK.** Les minutes clignotent.
4. **Presser +** ou **-** pour régler les minutes.
5. **Presser SET CLOCK.**

La pendule figure à l'affichage en tout temps sauf lorsque la minuterie ou une fonction de cuisson minutée est actionnée.

Pour utiliser l'éclairage du four

1. **Presser LIGHT (éclairage)** pour mettre en ou hors circuit.

L'éclairage est mis en circuit automatiquement lorsque :

- la porte est ouverte
- le four est mis en circuit

L'éclairage est mis hors circuit automatiquement lorsque :

- le four est mis hors circuit
- le mode four est annulé

L'éclairage ne fonctionne pas en mode autonettoyant.

Mise en oeuvre

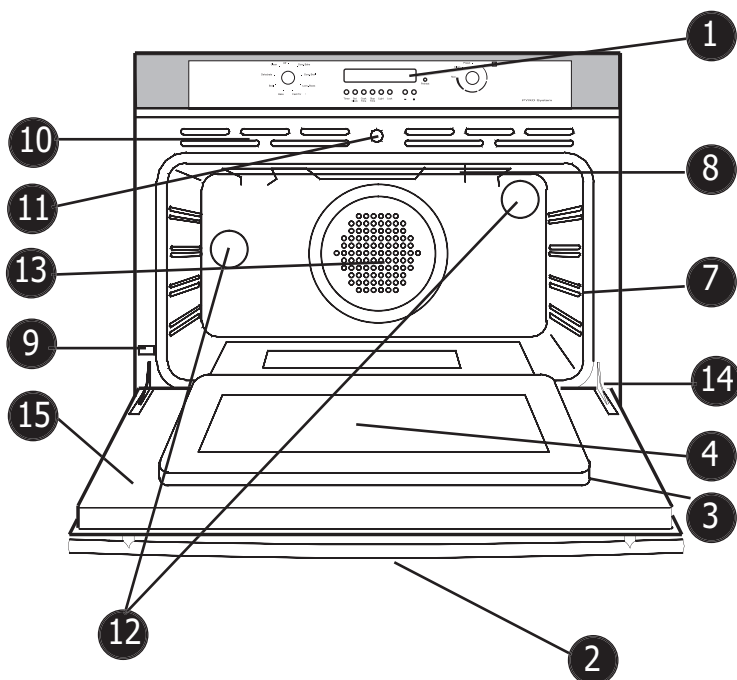


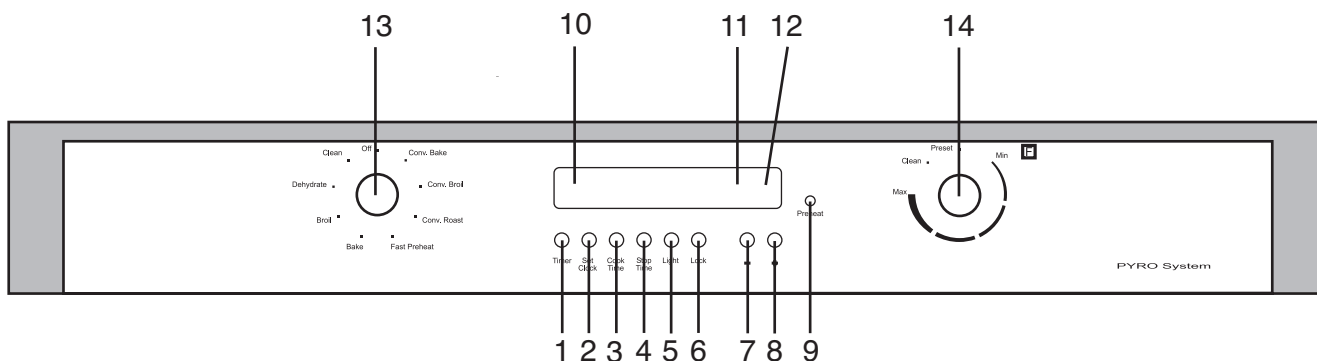
Figure 1 : pièces du four

Pièces et accessoires

- | | |
|---|---|
| 1. Panneau de contrôle | 10. Évents de refroidissement |
| 2. Poignée de porte | 11. Loquet de verrouillage de porte automatique |
| 3. Joint de porte | 12. Éclairage halogène |
| 4. Hublot | 13. Ventilateur de convection et couvercle |
| 5. Grilles amovibles ; (non illustrées) | 14. Charnière de four |
| 6. Lèchefrite et gril (non illustrés) | 15. Porte de four amovible |
| 7. Guides de positions des grilles (4) | 16. Nécessaire de documentation |
| 8. Élément gril (un dans chaque four) | |
| 9. Plaque signalétique | |

Mise en oeuvre

Panneau de contrôle



Touches de commandes

1. **TIMER** (minuterie) : presser pour régler ou effacer la minuterie.
2. **SET CLOCK** (réglage pendule) : presser pour régler ou changer l'heure du four.
3. **COOK TIME** (temps cuisson) : presser pour régler le mode cuisson minutée.
4. **STOP TIME** (heure arrêt) : presser pour régler l'heure d'arrêt à un mode de cuisson différée.
5. **LIGHT** (éclairage) : presser pour mettre en ou hors circuit.
6. **LOCK** (verrouillage) : pour four simple, presser et maintenir LOCK et + en même temps pour mettre le verrouillage en ou hors circuit. Pour four double, presser et maintenir + et - pour mettre en ou hors circuit. (Utiliser la touche four inférieur pour choisir le four). Cette fonction verrouille la porte du four à des fins sécuritaires.
7. **-** : presser pour diminuer la durée pour une des fonctions ci-dessus une minute à la fois. Presser et maintenir pour augmenter en tranches de 10 minutes.
8. **+** : presser pour augmenter la durée pour une des fonctions ci-dessus une minute à la fois. Presser et maintenir pour augmenter en tranches de 10 minutes.

Affichage

9. **PREHEAT LIGHT** (voyant préchauffage) s'allume lorsque le four préchauffe.
10. **TIME** (heure) : chiffres verts à la gauche de l'affichage. Indique l'heure du jour et la minuterie.
11. **TEMPÉRATURE** : chiffres rouges à la droite de l'affichage. Indique la température choisie pour le four.
12. **LOCK ICONS** (icone de verrouillage) : icônes rouges à l'intérieur de la boîte d'icônes indiquant que la porte est verrouillée.

Boutons

13. **MODE**: tourner pour choisir un mode.
14. **TEMPÉRATURE**: tourner pour changer la température. Lorsque **PRESET** (préréglé) est sélectionné, la température par défaut est utilisée.

Autres caractéristiques

15. **TONALITÉ** : une tonalité indique que l'entrée est acceptée ; deux, l'entrée est invalide.
16. **CODES NOMBRE F** : figure à l'affichage lorsque le contrôle détecte un problème avec le four ou l'électronique. Voir la rubrique Aide, page 19, pour plus de détails.
17. **TEMPÉRATURE PAR DÉFAUT** : chaque mode de cuisson a une température par défaut qui s'affiche lorsque le bouton température est tourné à **PRESET**. La température par défaut est celle la plus souvent utilisée pour ce mode.
18. **MODE SABBAT** : lorsque activé, le four cuit pendant 72 heures avant de se mettre automatiquement hors circuit. Ce mode est conforme aux croyances religieuses du Sabbat, soit l'exigence de ne pas travailler.

Fonctionnement du four

Conseils généraux

Suggestions d'utilisation

- Utiliser les tableaux de cuisson comme guide.
- Ne pas déposer les casseroles sur la porte ouverte.
- Utiliser l'éclairage intérieur pour voir les aliments par le hublot plutôt que d'ouvrir la porte fréquemment.
- Placer les plats au centre du four.

Avantages de cuisson à convection

- Cuisson uniforme.
- Jus et saveurs scellés.
- Aliments levant à l'air comme soufflée, meringue, pain à levure, etc. plus légers et plus hauts.
- Aucun plat spécial nécessaire.
- Grillage de coupes de viande épaisses possible avec le gril à convection.
- Économise temps et argent.

Concernant la cuisson à convection

Les modes de cuisson standard (cuisson, gril, etc.) utilisent une chaleur radiée d'un ou plusieurs éléments pour cuire les aliments. Les modes à convection utilisent la chaleur des éléments et d'un ventilateur à l'arrière du four faisant circuler constamment la chaleur dans le four.

Le résultat est plus rapide, plus uniforme. Les modes à convection scellent l'humidité naturelle et les saveurs tout en économisant temps et argent puisque les aliments cuisent à des températures plus basses en moins de temps (ne réduit jamais la température pour la cuisson des viandes).

Le temps de cuisson est réduit car plusieurs grilles peuvent être utilisées à la fois, comme cuire plusieurs plaques à biscuits ou différents plats en même temps.

Le four utilise aussi la convection pour déshydrater. La faible chaleur des éléments est circulée dans le four par le ventilateur à convection pour retirer lentement l'humidité.

Consulter les modes four dans ce guide plus de détails.

Préchauffage du four

- Préchauffer le four pour les modes cuisson et cuisson à convection à moins d'indication contraire dans la recette.
- Utiliser le préchauffage rapide pour réduire le temps de préchauffage.
- Choisir une température élevée ne réduit pas le temps de préchauffage.
- Le préchauffage est nécessaire pour de bons résultats pour cuire gâteaux, biscuits, pâtisseries et pains.
- Placer les grilles à la position appropriée avant de préchauffer.
- Pendant le préchauffage, la température de cuisson choisie est affichée.
- Une tonalité confirme que le four est préchauffé et le voyant s'éteint.
- Sur courant 208 V, le temps de préchauffage peut être légèrement plus long.

Plats de cuisson

- Les plats en verre absorbent la chaleur, donc réduire la température de 25 °F.
- Utiliser des plats qui donnent un brunissage désiré. Le type de fini du plat aide à déterminer le brunissage.
- Des plats au fini métal lisse et brillant ou anodisés/antiadhésifs pâles réfléchissent la chaleur, donc un brunissage plus pâle. Gâteaux et biscuits requièrent ce type de plat.
- Des moules mats, rugueux, foncés absorbent la chaleur donnant des croûtes croustillantes, plus brunes. Utiliser pour les tartes.
- Pour des croûtes croustillantes, brunes, utiliser des plats anodisés/antiadhésifs foncés, métal mat ou en verre.
- Des plats isolés peuvent augmenter le temps de cuisson.
- Ne pas cuire avec la lèchefrite vide, cela peut modifier le rendement de cuisson. La ranger hors du four.
- Utiliser des plaques de 19 x 14 po ou plus petites pour de meilleurs résultats.

Généralités du fonctionnement du four

Le fonctionnement du four s'effectue à l'aide des boutons et des commandes sur le panneau de contrôle.

Le four simple est doté d'un bouton mode.

Le four simple est doté d'un bouton de température.

Les touches de commandes permettent de régler la pendule, la minuterie, temps de cuisson (pour cuisson minutée et différée), heure arrêt (cuisson différée), éclairages de four et verrouillage de sécurité.

Voir les rubriques panneau de contrôle et affichage et fonctionnement du four plus de détails.

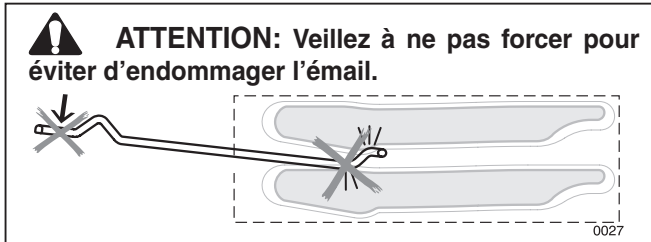
*Les modèles HBL503 n'ont pas les caractéristiques à convection.

Fonctionnement du four

Conseils généraux

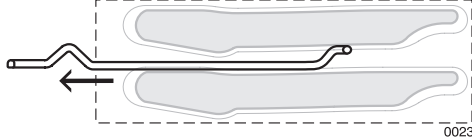
Grilles de four

- Le four est doté de guides de grilles à 4 niveaux comme illustré à la page 7.
Les positions sont numérotées du bas (n 1) au haut (n 4).
- Vérifier les tableaux de cuisson pour les meilleures positions à utiliser lors de la cuisson.
- S'assurer que les grilles sont de niveau une fois en position.
- Les grilles sont conçues pour s'arrêter lorsque tirées complètement.
- ATTENTION !** Ne jamais utiliser de papier aluminium pour couvrir les grilles ou le fond du four. La chaleur coincée sous l'aluminium peut causer des dommages au four.

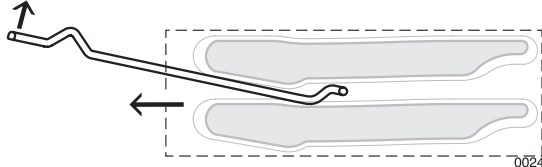


Pour enlever les grilles:

1. Tirez-les vers vous

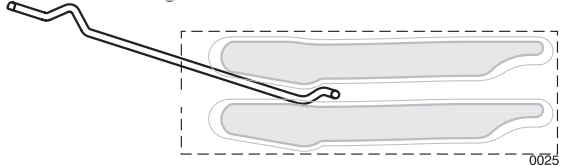


2. Soulevez-les vers devant et ensuite enlever-les

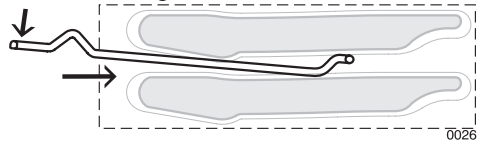


Pour remplacer une grille:

1. Placez l'arrière de la grille entre les guides de niveau de grille

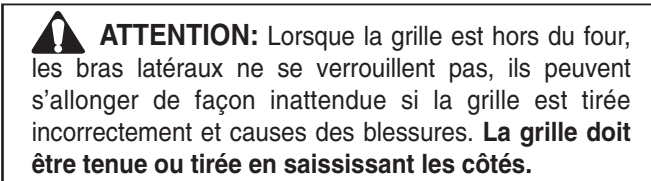


2. En soulevant vers le haut la grille, faites-la glisser tout le long en baissant le devant



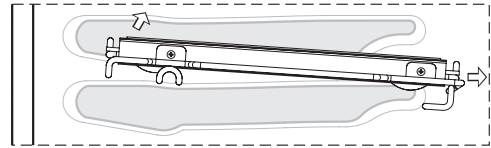
Grille rallonge

- Cette grille facilite l'accès aux aliments cuisants. Elle s'allonge plus que la grille standard pour rapprocher les aliments de l'utilisateur.

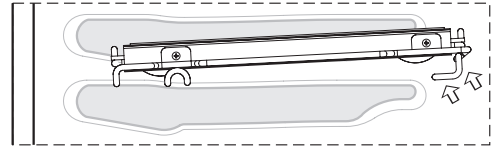


Retrait du four:

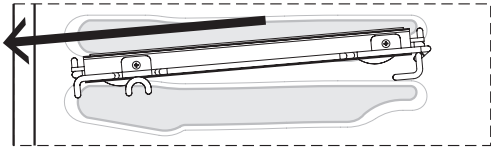
1. Soulever légèrement le devant de la grille et pousser jusqu'à ce que la butée se dégage



2. Soulever l'arrière de la grille jusqu'à ce que le cadre et la butée se dégagent du guide



3. Tirer vers le bas et sortir



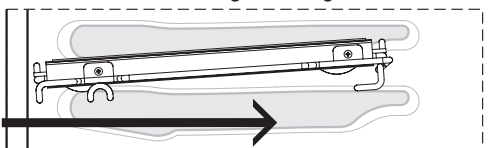
NOTE: Toujours enlever la grille rallonge avant l'autonettoyage.

ATTENTION! Pour éviter les brûlures, tirer complètement la grille et soulever la casserole audessus de la poignée au moment de transférer des aliments hors du et dans le four.

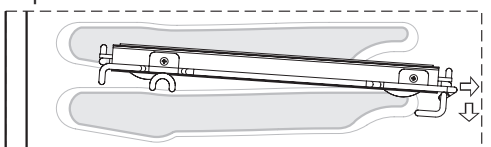
Veillez-vous reporter à l'illustration Page 7 si vous avez des questions comme savoir où est le devant de la grille.

Mise en place dans le four:

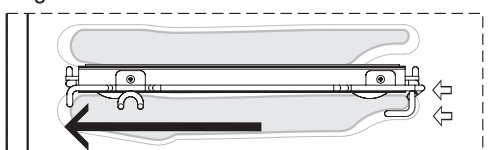
1. Saisir la grille fermement par les côtés. Placer la grille et le cadre au-dessus du guide de grille désiré



2. Pousser au fond jusqu'à ce que l'arrière de la grille se mette en position



3. Tirer les deux sections vers l'avant jusqu'à la butée. La grille doit être droite et non croche



ATTENTION: pour éviter les brûlures, placer les grilles à la position désirée avant de mettre le four en circuit. Toujours utiliser des mouffles lorsque le four est chaud.

Fonctionnement du four

Conseils généraux

Sélection de la position de la grille

Voir le graphique à droite.

Grille 4 – plus haute position. Utiliser pour faire fondre rapidement le fromage.

Grille 3 – utiliser pour griller la plupart des viandes et le pain.

Grille 2 – utiliser pour tartes, casseroles, pains, certains gâteaux, petits rôtis ou volaille ainsi que pour griller les coupes de viandes épaisses.

Grille 1 – plus basse position. Utiliser pour gâteaux des anges, gros rôtis et dinde.

Utilisation de plusieurs grilles

Cuisson à 2 grilles – positions 1 et 3

Cuisson à 3 grilles – positions 2, 3 et 4

Pour la cuisson d'un gâteau à 4 étages en même temps, placer les moules de façon à ce qu'ils ne soient pas un au-dessus des autres. Pour de meilleurs résultats, placer les moules à l'avant sur la grille supérieure et à l'arrière sur la grille inférieure (voir graphique à droite). Allouer un espace de 1 à 1 1/2 po autour des moules.

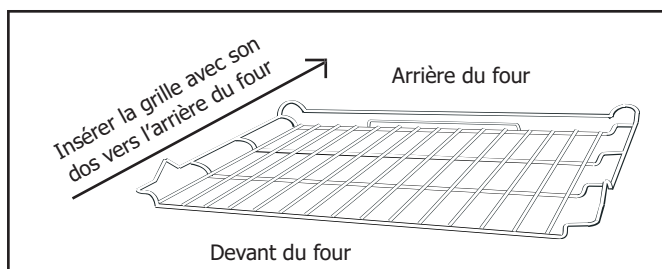


Figure 5 : grille plate

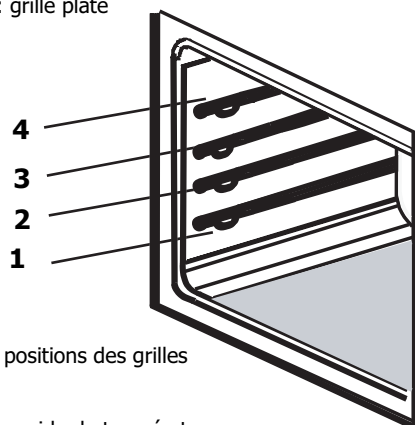


Figure 6 : positions des grilles

Tableau 1 : guide de température

Guide de température de service de la FSIS (Service d'inspection et sécurité des aliments USDA)	
140 °F (60 °C) <ul style="list-style-type: none">• Jambon précuit (pour réchauffer)	165 °F (74 °C) <ul style="list-style-type: none">• Viande hachée et mélange de viande (dinde, poulet)
145 °F (63 °C) <ul style="list-style-type: none">• Boeuf, veau, agneau frais (médium – saignant)	170 °F (77 °C) <ul style="list-style-type: none">• Farce (seule ou dans une volaille)• Restes, casseroles
160 °F (71 °C) <ul style="list-style-type: none">• Viande hachée et mélange de viande (boeuf, porc, veau, agneau)• Boeuf, veau, agneau frais (médium)• Porc frais (médium)• Jambon frais (non cuit)• Plats aux oeufs	180 °F (82 °C) <ul style="list-style-type: none">• Poulet et dinde (entier)• Volaille (cuisses, ailes)• Canard et oie

Remarque : oeufs (seuls, non dans une recette) – cuire jusqu'à ce que le jaune et le blanc soient fermes.

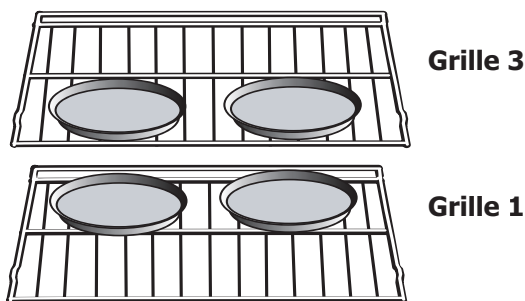


Figure 7 : position des moules sur plusieurs grilles

Condensation

L'évent du four est situé au-dessus de la porte. Il est normal de voir de la vapeur s'échapper de l'évent et de voir de la condensation se former au-dessus de l'évent comme à l'affichage.

Capteur de température

Ce nouveau four est doté d'un capteur de température qui maintient de façon précise la température choisie. Le four précédent avait peut-être un thermostat mécanique qui passait graduellement à une température plus élevée. Résultat, il faudra peut-être régler selon les recettes au moment de cuisiner avec le nouveau four.

Cuisson à haute altitude

Pour cuisiner à haute altitude, les recettes et les durées de cuisson varient de la norme. Pour une information précise, écrire à Extension Service, Colorado State University, Fort Collins, Colorado 80521. Il peut y avoir des frais pour les bulletins.

ATTENTION:

Plusieurs facteurs peuvent modifier le rendement.
Toujours vérifier la cuisson avant de servir.

Fonctionnement du four

Réglage du four

Réglage du mode de cuisson

1. Tourner le bouton mode pour choisir le mode de cuisson.
2. Tourner le bouton température pour choisir la température. Choisir PRESET pour utiliser la température par défaut.

Le voyant préchauffage rouge, l'éclairage du four et le ventilateur sont en circuit lorsque le four préchauffe. Lorsque la température de préchauffage est atteinte, le voyant rouge s'éteint et le four émet une tonalité.

Réglage de la minuterie

1. Presser TIMER. TIMER figure à l'affichage
2. Presser TIMER de nouveau. L'heure clignote.
3. Presser + ou - pour régler l'heure.
4. Presser TIMER. Les minutes clignent
5. Presser + ou - pour régler les minutes.
6. Presser TIMER.

Une tonalité retentit lorsque le temps est écoulé.

CONSEIL:

Maintenir + ou - pour régler en tranches de 10 minutes.

Réglage du mode cuisson avec préchauffage rapide

1. Tourner le bouton à FAST PREHEAT (préchauffage rapide).
2. Tourner le bouton température pour choisir la température.

Le voyant préchauffage rouge, l'éclairage du four et le ventilateur sont en circuit lorsque le four préchauffe. Lorsque la température de préchauffage est atteinte, le voyant rouge s'éteint et le four émet une tonalité.

3. Tourner le bouton pour choisir le mode cuisson.
4. Placer les aliments au four.

RAPPEL!

En utilisant le **préchauffage rapide**, il faut **sélectionner le mode de cuisson** après le préchauffage et avant de placer les aliments au four.

Modes de cuisson minutée

Utiliser la cuisson minutée pour mettre automatiquement le four hors circuit après la cuisson. La cuisson différée met aussi le four en circuit automatiquement.

- La pendule est réglée à l'heure du jour.
- Le mode minuté met le four hors circuit à la fin de la cuisson.

Réglage du mode minuté

1. Tourner les boutons pour choisir le mode et la température.
2. Presser COOK TIME (temps cuisson) deux fois. L'heure clignote.
3. Presser + ou - pour régler le nombre d'heures.

Remarque : le temps requis pour que le four atteigne la température doit être comprise dans le temps de cuisson.

4. Presser COOK TIME de nouveau. Les minutes clignent.
5. Presser + ou - pour régler les minutes.
6. Presser COOK TIME pour confirmer.

À la fin du temps de cuisson programmé, le four se met automatiquement hors circuit.

Réglage du mode différé

1. Suivre les étapes 1 à 6.
2. Presser STOP TIME (heure arrêt) deux fois. DELAY (différé) figure à l'affichage. STOP TIME et les heures clignent.
3. Presser + ou - pour changer les heures.
4. Presser STOP TIME de nouveau. Les minutes clignent.
5. Presser + ou - pour changer les minutes.
6. Presser STOP TIME pour confirmer.

Le four calcule automatiquement l'heure du jour pour commencer.

À la fin du temps de cuisson programmé, le four se met hors circuit. L'affichage indique END (fin) et le four émet une tonalité. Il y a une tonalité et COOK TIME (cuisson heure OK) clignote.

CONSEIL:

Presser **COOK TIME** pour voir l'information **mode minuté**.

Presser **STOP TIME** pour voir l'information **mode différé**.

Presser **TIMER** pour voir la **minuterie**.

Fonctionnement du four

Modes four

Cuisson

La cuisson s'effectue avec de l'air chaud, sec. Les éléments supérieur et inférieur font un cycle pour maintenir la température du four.

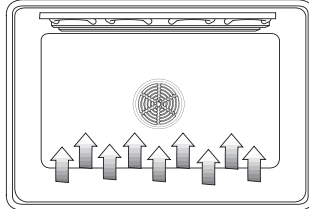


Figure 8 : cuisson

Le mode cuisson peut être utilisé pour préparer une variété d'aliments, de pâtisseries aux casseroles ainsi que pour rôtir les viandes.

Pour de meilleurs résultats

- Pour la cuisson sur deux grilles ou plus, utiliser la cuisson à convection.

Conseils pour cuisson rapide : Conversion de la cuisson standard à convection	
<ul style="list-style-type: none"> • Réduire la température de la recette de 25° F. • Vérifier la cuisson tôt : 	
Si la recette demande	Vérifier la cuisson
1 à 15 min.	3 min. plus tôt
16 à 30 min.	5 min. plus tôt
31 min. à 1 h	10 min. plus tôt

Cuisson à convection

La cuisson à convection est semblable à la cuisson. Dans ce cas, la chaleur provient d'un troisième élément derrière la paroi. La principale différence de la cuisson à convection est que la chaleur circule dans le four à l'aide d'un ventilateur.

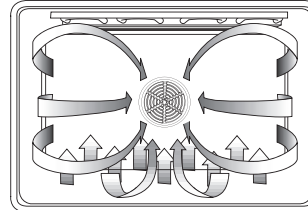


Figure 9 : cuisson à convection

Le mode cuisson à convection est idéal pour cuire de grandes quantités d'aliments sur plusieurs grilles. Utiliser pour préparer biscuits, pâtisseries, pains, goûter et hors-d'œuvre, etc. NE PAS utiliser pour les viandes, mais plutôt le rôti à convection.

Avantages de la cuisson à convection

- Légère diminution du temps de cuisson.
- Cuisson à 3 grilles.
- Volume plus élevé (produits à levure plus haut)
- Plus d'aliments cuisinés à la fois.

Pour de meilleurs résultats

- Réduire la température de la recette de 25 °F. Voir le tableau de cuisson à convection pour des exemples.
- Placer les aliments dans des plats peu profonds non couverts, comme une tôle à biscuits.
- Centrer les plats d'un côté à l'autre sur la grille.
- Ne pas utiliser la cuisson à convection pour les crèmes anglaises, quiches, tartes à la citrouille ou gâteau au fromage. Ces produits ne profitent pas de la chaleur à convection. Utiliser plutôt la cuisson standard.

Tableau 2 : tableau de cuisson à convection

Aliments	Position de grille	Temp.* (four préchauffé) °F	Temps de cuisson à convection* (min)
Gâteau			
Petits gâteaux	2	325	17-19
Gâteau bundt	1	325	37-43
Gâteau des anges	1	325	35-39
Tarte			
2 croûtes, fraîches, 9 po	2	350 - 400	45-55
2 croûtes, fruits surgelés, 9 po	2	350	68-78
Biscuit			
Sucre	2	325 - 350	6-11
Brisures de chocolat	2	325 - 350	8-13
Carrés au chocolat (brownies)	2	325	29-36
Pains			
Pain à levure, 9 x 5	2	350	18-22
Petits pains à levure	2	350 - 375	12-15
Pain rapide 8x4	2	325 - 350	45-55
Biscuits	2	350 - 375	11-15
Muffins	2	400	15-19
Pizza			
Surgelée	2	375 - 425	23-26
Fraîche	2	400 - 425	12-15

* La température de cuisson à convection est 25 °F de moins que celle recommandée sur les emballages ou dans les recettes. La température de ce tableau a été réduite de 25 °F.

** Ce tableau est un guide. Les durées réelles dépendent des mélanges ou des recettes. Suivre la recette ou les directives de l'emballage et réduire la température de façon appropriée.

*** Pour la cuisson à convection sur deux grilles, utiliser les positions 1 et 3. Pour trois grilles, positions 2, 3 et 4.

Fonctionnement du four

Modes four

Gril

Le gril utilise une chaleur intense radiée de l'élément supérieur :

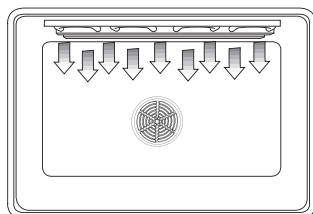


Figure 10 : gril

Le mode gril est idéal pour cuire des coupes de viandes minces et tendres (1 po ou moins), volaille et poisson ainsi que pour brunir pains et casseroles.

Avantages du gril

- Cuisson rapide et efficace.
- Cuisson sans ajout de gras ou de liquides.
- Brunissage pendant la cuisson

Pour de meilleurs résultats

- Ne pas préchauffer le four.
- Steaks et côtelettes doivent avoir au moins 3/4 po d'épaisseur.
- Badigeonner poisson et volaille avec du beurre ou de l'huile pour empêcher de coller.
- Utiliser la lèchefrite et la grille comprise avec le four.
- Ne pas couvrir la grille de la lèchefrite avec du papier aluminium. Elle est conçue pour drainer les gras et les huiles de la surface de cuisson empêchant la fumée et les éclaboussures.
- Tourner les viandes une fois à mi-cuisson du temps de cuisson recommandé (voir le tableau gril pour des exemples).
- Pour brunir des mets, utiliser seulement des plats en céramique vitrifiée comme Corningware® ou en métal.
- Ne jamais utiliser du verre résistant à la chaleur (Pyrex®) ; il ne peut tolérer les températures élevées.

TOUJOURS GRILLER AVEC LA PORTE FERMÉE

Tableau 3 : gril

Aliments et épaisseur	Position de grille	Réglage du gril	Temp. interne (°F)	Temps côté 1 (min)*	Temps côté 2 (min)*
Boeuf Steak (3/4 à 1 po) médium saignant	3	5	145	5-7	4-6
médium bien cuit	3	5	160	6-8	5-7
Hamburger(3/4 à 1 po) bien cuit	3	5	170	8-10	7-9
Volaille Poitrine (avec os)	3	3	170	14-16	14-16
Cuisses	3	3	180	14-16	11-13
Pork Côtelettes (1 po)	3	5	160	7-9	5-7
Saucisses fraîches	3	5	160	5-7	3-5
Tranche de jambon (1/2 po)	3	5	160	3-5	4-6
Fruits de mer Filets de poisson(1 po) Beurrés	3	4	Cuire jusqu'à opacité et que l'aliment se défasse facilement avec une fourchette	10-14	Ne pas tourner
Agneau Côtelettes 1 po médium saignant	3	5	145	5-7	4-6
médium bien cuit	3	5	160	6-8	5-7
	3	5	170	8-10	7-9
Pain À fail 1 po Tranches	3	5		4-6	

Gril à convection

Le gril à convection est semblable au gril. Il combine la chaleur intense de l'élément supérieur avec la chaleur circulée par le ventilateur.

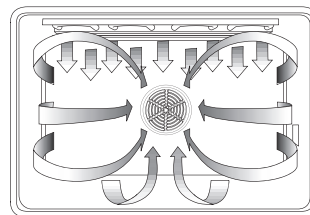


Figure 11 : gril à convection

Le mode gril à convection est idéal pour cuire des coupes de viande épaisses et tendres ; volaille et poisson. Il n'est pas recommandé pour brunir du pain, des casseroles et autres aliments.

Avantages du gril à convection en plus de ceux du gril standard

- Cuisson plus rapide que le gril standard

Pour de meilleurs résultats

- Ne pas préchauffer le four.
- La viande doit avoir au moins 1 1/2 po d'épaisseur.
- Tourner les viandes une fois à mi-cuisson du temps de cuisson recommandé (voir le tableau gril à convection pour des exemples).
- Utiliser la lèchefrite et la grille comprise avec le four.
- Ne pas couvrir la grille de la lèchefrite avec du papier aluminium. Elle est conçue pour drainer les gras et les huiles de la surface de cuisson empêchant la fumée et les éclaboussures.
- Saler après la cuisson

TOUJOURS GRILLER À CONVECTION AVEC LA PORTE FERMÉE

Tableau 4 : gril à convection

Aliments et épaisseur	Position de grille	Réglage du gril	Temp. interne (°F)	Temps côté 1 (min)*	Temps côté 2 (min)*
Boeuf Steak (1-1/2 po ou plus)	2	450	145	12-14	11-13
médium saignant	2	450	160	15-17	13-15
médium bien cuit	2	450	170	18-20	16-17
Hamburger (plus que 1 po) bien cuit	3	550	160	11-13	8-10
Volaille Poitrine (avec os)	3	450	180 (Cuisse)	13-15	10-12
Cuisses	3	450	170	14-16	12-14
Porc Côtelettes (1 1/4 po ou plus)	2	450	160	12-14	13-15
Saucisses fraîches	3	450	160	4-6	3-5

*Temps de gril et gril à convection sont approximatifs et peuvent varier.

Fonctionnement du four

Modes four

Rôtissage à convection

Le rôtissage à convection utilise la chaleur des éléments supérieur et inférieur ainsi que la chaleur circulée par le ventilateur.

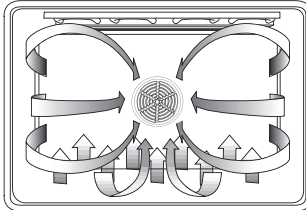


Figure 12 : rôtissage à convection

Le mode rôtissage à convection est idéal pour cuire les coupes de viande tendres et la volaille.

Avantages de rôtissage à convection

- Cuisson jusqu'à 15 % plus rapide que le rôtissage/cuisson standard.
- Brunissage riche et doré.

Pour de meilleurs résultats

- Utiliser la température indiquée dans la recette.
- Vérifier la cuisson plus tôt car le temps de rôtissage est réduit jusqu'à 25 %. Voir le tableau de rôtissage à convection pour des exemples.
- Ne pas couvrir la viande ni utiliser de sacs à cuisson.
- Utiliser la lèchefrite et la grille comprise avec le four pour le rôtissage ou un plat peu profond, non couvert.
- Utiliser un thermomètre à viande pour déterminer la température interne de la viande.
- Si la viande est brunie comme désiré, mais pas assez cuite, une petite bande d'aluminium peut être placée sur la viande pour empêcher de trop brunir.
- Laisser la viande reposer couverte de 10 à 15 minutes après le retrait du four.

Tableau 4 : rôtissage à convection

Viandes	Poids (lb)	Temp. four (°F)	Position grille	Temps rôtissage* (min par lb)	Temp. interne (°F)
Bœuf Côte de bœuf	4 - 6	325	2	24-30 27-33	145 (med saignant) 160 (médium)
Rosbif de faux-filet (sans os)	4 - 6	325	2	22-30 27-33	145 (med saignant) 160 (médium)
Pointe de surlonge (sans os)	3 - 6	325	2	22-28 27-33	145 (med saignant) 160 (médium)
Filet	2 - 3	425	2	15-25	145 (med saignant)
Porc Longe de porc (sans os ou avec os)	5 - 8	350	2	20-30	160 (médium)
Épaule	3 - 6	350	2	25-35	160 (médium)
Volaille Poulet - entier	3 - 4	375	2	12-18	180
Dinde non farcie**	12-15	325	1	10-14	180
Dinde non farcie**	16-20	325	1	9-11	180
Dinde non farcie**	21-25	325	1	6-10	180
Poitrine	3 - 8	325	1	15-20	170
Poulet de Comouailles	1 - 1 ½	350	2	45-75 total	180
Agneau Demi gigot	3 - 4	325	2	25-30 30-35	160 (médium) 170 (bien cuit)
Gigot entier	6 - 8	325	1	25-30 30-35	160 (médium) 170 (bien cuit)

* Les temps de rôtissage sont approximatifs et peuvent varier légèrement selon la forme de la viande et sont en fonction des viandes décongelées.

**La dinde farcie requiert du temps additionnel. La température minimale sécuritaire pour la farce dans la dinde est de 165 °F.

Conseils rapides et faciles: Conversion de cuisson standard à rôtissage à convection

- NE PAS changer la température de la recette.
- Utiliser les temps de rôtissage donnés au tableau à droite.

Fonctionnement du four

Modes four

Déshydratation

La déshydratation sèche les aliments avec la chaleur d'un troisième élément situé derrière la paroi arrière du four. La chaleur est circulée dans le four par le ventilateur.

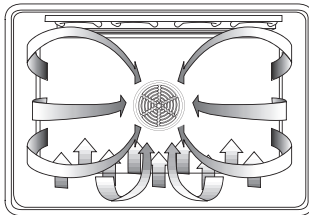


Figure 13 : déshydratation

La déshydratation est utilisée pour sécher et/ou préserver les aliments tels fruits, légumes et fines herbes. Ce mode garde une basse température optimale (120 à 160 °F) tout en circulant l'air chaud pour enlever lentement l'humidité.

Pour de meilleurs résultats

- Sécher les fines herbes à 120 °F et la plupart des fruits et légumes à 140 °F. (Voir le tableau de déshydratation pour des exemples.)
- Les temps de séchage varient selon la quantité d'humidité et de sucre contenue dans les aliments, la dimension, la quantité séchée et l'humidité dans l'air. Vérifier au temps de séchage minimum.
- Plusieurs grilles peuvent être utilisées simultanément. Communiquer avec le marchand Fagor pour des grilles de séchage.
- Traiter les fruits avec des antioxydants pour éviter la décoloration.
- Consulter un livre sur la conservation d'aliments, bibliothèque, etc. pour de l'information additionnelle.

Tableau 6: déshydratation

Aliment	Préparation	Temps de séchage approx.* (heures)	Vérifier la cuisson
Fruit Pommes	Dans jus de citron ¼ t. et 2 t d'eau, tranches ¼ po	11-15	Légèrement pliables
Bananes	Dans jus de citron ¼ t. et 2 t d'eau, tranches ¼ po	11-15	Légèrement pliables
Cerises	Laver et assécher à la serviette. Pour les cerises fraîches, dénoyauter	10-15	Piables, tannées, moelleuses
Pelures d'orange et tranches	¼ po d'épaisseur ; partie de la pelure finement pelée	Peels: 2-4 Slices: 12-16	Orange pelée, séchée et cassante. Tranches : sèches et cassantes, fruit légèrement humide
Tranches d'ananas	Séchées à la serviette	Canned: 9-13 Fresh: 8-12	Souples et pliables
Fraises	Lavées et séchées à la serviette. Tranches ½ po d'épaisseur, dessus sur la grille	12-17	Sèches et cassantes
Légumes Poivrons	Lavés et séchés à la serviette. Retirer la membrane, grossièrement coupés environ 1 po	16-20	Cassants sans humidité à l'intérieur
Champignons	Lavés et séchés à la serviette. Couper la tige. Morceaux de 1/8 po	7-12	Fermes et cassants, secs
Tomates	Lavés et séchés à la serviette. Tranches minces 1/8 po d'épaisseur. Bien drainer.	16-23	Sèches, rouges
Fines herbes Origan, sauge, persil et thym, et fenouil	Rincer et assécher à la serviette	Sécher à 120 °F de 3 à 5 heures	Croustillant et cassant
Basilique	Feuilles 3 à 4 po du haut. Vaporiser d'eau, secouer et assécher	Sécher à 120 °F de 3 à 5 heures	Croustillant et cassant

Le four demeure en circuit pendant 48 heures avant de se mettre automatiquement hors circuit.

Entretien

Autonettoyage

Pendant l'autonettoyage, le four utilise une température très élevée pour brûler les graisses et les particules d'aliments.

- Comme caractéristique de sécurité, la porte du four se verrouille pendant l'autonettoyage pour protéger contre les températures élevées. Ne pas tenter d'ouvrir la porte pendant ce mode.
- Il est habituel de voir de la fumée et/ou un flambage occasionnel pendant ce mode, selon le contenu et la quantité de saleté restant dans le four. Si la flamme persiste, mettre le four hors circuit et le laisser refroidir avant d'ouvrir la porte et d'essuyer l'excès de saleté.
- L'éclairage ne fonctionne pas pendant l'autonettoyage.
- Ne pas utiliser de nettoyeurs à four de type commercial car ils peuvent endommager le fini ou les pièces.
- La chaleur et les odeurs sont normales pendant l'autonettoyage. Bien aérer la cuisine.

REMARQUE : à cause des températures élevées utilisées pour l'autonettoyage, de fines lignes ou une rugosité de la surface peuvent se développer dans la cavité. Ceci est une condition habituelle et ne modifie en rien la cuisson ou le rendement de nettoyage du four.

Avant l'autonettoyage

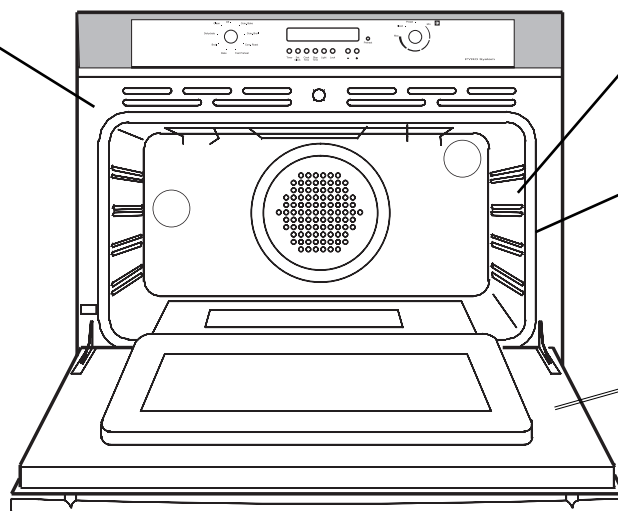
1. Nettoyer à la main le bord de la porte, hublot, cadre avant et bords de la cavité du four (voir figure ci-dessous). Ils ne deviennent pas assez chauds pendant le cycle de nettoyage pour brûler la saleté. Utiliser une éponge savonneuse ou un tampon en plastique. **NE PAS FROTTER LE JOINT.**
2. Essuyer les déversements importants et la graisse avec un essuie-tout.
3. Retirer la lèchefrite, tout ustensile et plats.
4. Retirer les grilles du four. Si les grilles sont laissées dans le four pendant l'autonettoyage, elles perdront leur fini brillant et ne glisseront pas en douceur dans les guides. Voir « Nettoyage des surfaces du four » à la page 15 pour un entretien adéquat.
5. S'assurer que l'éclairage est hors circuit au panneau de contrôle et que l'ampoule et le couvercle sont en place.

Après le nettoyage

- Le mode autonettoyage peut produire des cendres au fond du four. Si cela se produit, enlever les cendres avec un chiffon humide avant d'utiliser le four.
- Essuyer les bords de grilles avec de l'huile de cuisson pour qu'elles grillent mieux. Essuyer l'excès.

IMPORTANT : s'assurer de laisser le verre du hublot de la porte refroidir complètement avant d'essuyer la cendre du cycle de nettoyage.

Nettoyer le cadre avant à la main



Nettoyer 1 ½ po du support de grille au devant de la cavité du four à la main.

NE PAS nettoyer le joint à la main

Nettoyer la porte et le cadre à la main

Figure 14 : avant l'autonettoyage

Entretien

Autonettoyage

Réglage du mode autonettoyage :

1. Retirer les grilles et fermer la porte du four.
2. Tourner les deux boutons à CLEAN (nettoyage).

REMARQUE :

Si la porte est ouverte pendant que le mode autonettoyage est sélectionné, le voyant verrouillage clignote. L'autonettoyage ne commence pas tant que la porte n'est pas fermée.

CLEAN et **TIME** figurent à l'affichage.

Le four nettoie pendant 3 heures. À la fin, il se met automatiquement hors circuit.

END (fin) figure à l'affichage, **CLEAN** et **TIME** clignotent jusqu'à ce qu'une touche soit pressée ou que le bouton soit réglé à **OFF**.

Changement du temps de nettoyage

Le temps préréglé est 3 heures. Pour la saleté légère, utiliser 2 heures ; pour la saleté tenace, 4 heures.

1. Régler le mode autonettoyage comme indiqué ci-dessus.
2. **Presser COOK TIME** (temps cuisson).
3. **Presser +** ou **-** pour changer le nombre d'heure.
4. **Presser COOK TIME** deux fois.

Mise en marche différée du nettoyage

Remarque : l'heure du four doit être précise pour que le différé fonctionne adéquatement.

1. Régler le mode autonettoyage comme indiqué ci-dessus.
2. Changer le temps de nettoyage comme indiqué ci-dessous (si désiré).
3. Régler l'heure de mise en marche de l'autonettoyage.

Presser STOP TIME (heure arrêt) deux fois.

Presser + ou **-** pour régler l'heure.

Presser STOP TIME.

Presser + ou **-** pour régler les minutes

Presser STOP TIME.

La porte du four se verrouille et **DELAY** (différé) figure à l'affichage.

4. Lorsque le différé prend fin, l'autonettoyage commence.

À la fin du temps programmé, le four se met automatiquement hors circuit.

END (fin) figure à l'affichage. **CLEAN** (propre) et **TIME** (temps) clignotent jusqu'à ce qu'une touche soit pressée ou un bouton tourné à **OFF**.

POUR ANNULER :

Pour annuler l'autonettoyage, tourner le bouton à **OFF**. La porte du four demeure verrouillée tant que la température n'est pas sécuritaire.

Concernant le verrouillage de la porte

Ne pas tenter d'ouvrir la porte pendant qu'elle se verrouille.

Le symbole de verrouillage figure tant que la porte est verrouillée.

vérifier si la porte est bien verrouillée et qu'elle ne sera pas ouverte avant de commencer l'autonettoyage.

Si la porte ne se verrouille pas, tourner le bouton à **OFF** et ne pas actionner l'autonettoyage. Communiquer avec un centre de Service Autorisé.

CONSEIL :

Pour vérifier le **temps de différé**, presser **COOK TIME**.

Pour vérifier le **temps résiduel avant que ne commence le mode différé**, presser **STOP TIME**.

Entretien

Nettoyage des surfaces du four

Tableau 7 : méthodes de nettoyage des surfaces.

Surface	Méthode de nettoyage
Grilles mode (four), grilles	Laver avec de l'eau chaude savonneuse. Rincer et assécher ou frotter légèrement avec des tampons savonneux comme indiqué. Si les grilles sont nettoyées dans le four pendant l'autonettoyage, elles perdront leur fini et peuvent ne pas glisser adéquatement. Si cela se produit, essuyer les bords avec une petite quantité d'huile végétale, puis essuyer l'excès.
Tressage en fibre de verre (joint)	NE PAS NETTOYER LE JOINT À LA MAIN.
Verre (hublot, affichage)	Laver avec de l'eau savonneuse ou un nettoyant pour le verre. Utiliser un produit de nettoyage approprié pour enlever les éclaboussures de graisse et les taches tenaces.
Pièces peintes (extérieur)	Nettoyer avec de l'eau chaude savonneuse ou avec un produit de nettoyage approprié sur un chiffon et nettoyer. Éviter d'utiliser un produit en poudre, des tampons en laine d'acier ou du nettoyant à four.
Porcelaine (intérieur)	Essuyer immédiatement les déversements acides comme le jus de fruits, lait, tomate avec un chiffon sec. Ne pas utiliser une éponge ou un chiffon humide sur la porcelaine chaude. Lorsque refroidie, nettoyer avec de l'eau chaude savonneuse ou appliquer un produit de nettoyage approprié sur une éponge humide. Rincer et assécher. Pour les taches tenaces, utiliser délicatement un tampon savonneux. Il est normal que la porcelaine ait des lignes fines avec le temps, cela causé par la chaleur et les déversements d'aliments.
Acier inoxydable (extérieur)	Toujours essuyer ou frotter avec le grain. Nettoyer avec une éponge savonneuse, puis rincer et assécher ou essuyer avec un produit de nettoyage approprié vaporisé sur un essuie-tout. Protéger et polir avec un produit approprié et un chiffon doux. Enlever les taches d'eau avec un chiffon humide de vinaigre blanc. Utiliser un produit de nettoyage approprié pour enlever la décoloration par la chaleur.
Plastique (boutons, contrôles)	Lorsque refroidi, nettoyer avec de l'eau chaude savonneuse, rincer et assécher.

Remplacement de l'éclairage du four

- Chaque four est doté de deux ampoules halogènes situées dans la paroi arrière du four.
- L'éclairage s'allume lorsque la porte est ouverte ou lorsque le four est à un cycle de cuisson.
- L'éclairage ne s'allume pas pendant l'autonettoyage.
- Chaque assemblage d'éclairage comprend un couvercle amovible, une ampoule et une douille fixée en place (voir figure 17, page suivante).

Pour remplacer l'ampoule (voir figure 17, page suivante)

1. Lire l'AVERTISSEMENT sur cette page.
2. Fermer l'alimentation à l'alimentation principale (fusible ou coupe-circuit).
3. Dévisser la lentille et enlever.
4. Tirer droit sur l'ampoule pour l'enlever de la douille.
5. Remplacer par une nouvelle ampoule. Éviter de presser l'ampoule avec les doigts ; l'huile des mains peut en dommager l'ampoule lorsqu'elle devient chaude.
6. L'ampoule est de type halogène: employer un avec les memes Volt et Watt.
7. Remettre le couvercle en le vissant.
8. Remettre le couvercle du ventilateur (si applicable).
9. Remettre l'alimentation principale au circuit (fusible ou coupe-circuit).



AVERTISSEMENT

- S'assurer que le four et les ampoules sont froids et que l'alimentation est hors circuit avant de remplacer les ampoules. Sinon, il peut en résulter un choc électrique ou des brûlures.
- Les lentilles doivent être en place pour utiliser le four.
- Les lentilles servent à protéger les ampoules contre le bris.
- Les lentilles sont fabriquées en verre. Les manipuler avec soin pour éviter de les briser. Du verre brisé peut causer des blessures.

Entretien

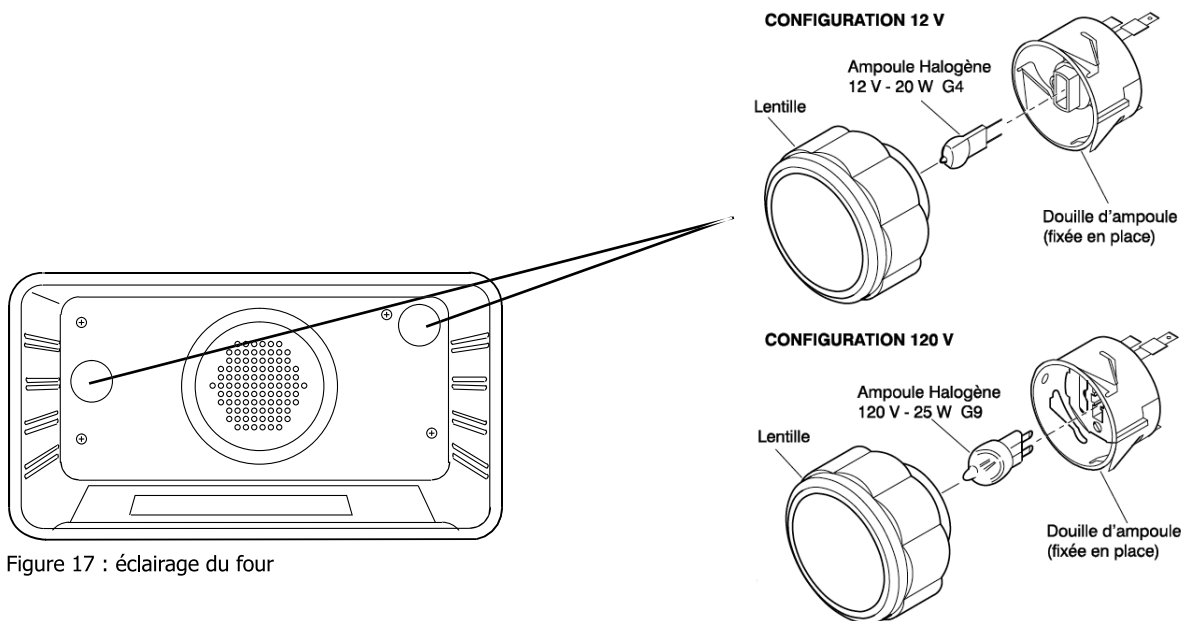


Figure 17 : éclairage du four

Retrait de la porte du four

AVERTISSEMENT

- S'assurer que le four est froid et que l'alimentation est hors circuit avant d'enlever la porte, sinon il peut en résulter un choc électrique ou des brûlures.
- La porte du four est lourde et fragile. Utiliser les deux mains pour enlever la porte. Le devant est en verre. Manipuler avec soin pour éviter les bris.
- Saisir seulement les côtés de la porte. Ne pas saisir la poignée car elle peut glisser des mains et causer des dommages et des blessures.
- Si l'on ne saisit pas la porte fermement et adéquatement cela peut causer des dommages ou des blessures.

AVERTISSEMENT

Pour éviter des blessures des fixations de charnière qui s'enclenchent, s'assurer que les deux leviers sont sécuritaires avant d'enlever la porte. De plus, ne pas forcer la porte ouverte ou fermée ; la charnière peut être endommagée et causer des blessures.

Pour enlever la porte du four

1. S'assurer de lire l'AVERTISSEMENT ci-dessus avant d'enlever la porte du four.
2. Ouvrir la porte complètement.
3. Soulever les fixations de charnière (une de chaque côté) des fentes (figure 15).
4. Fermer légèrement la porte jusqu'à ce que les fixations se verrouillent en place.
5. Fermer la porte à environ mi-chemin (jusqu'à ce qu'elle s'arrête).
6. Saisir fermement les deux côtés.
7. Tirer droit et vers le haut. Placer la porte dans un endroit stable.

Pour réinstaller la porte

1. Maintenir fermement les deux côtés de la porte, insérer les charnières vers le bas et dans les fentes.
2. Ouvrir complètement la porte afin que les fixations de charnière (une de chaque côté) se dégagent.
3. Ouvrir et fermer la porte lentement et complètement pour vérifier l'installation.

La porte devrait se fermer facilement et être droite, non croche.

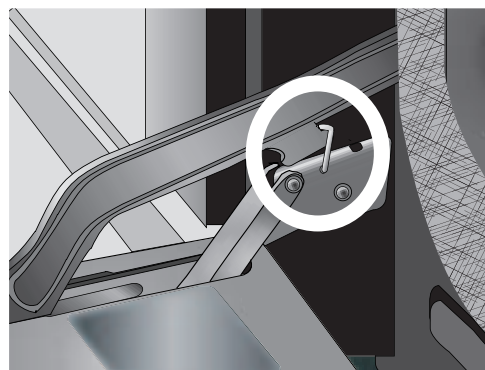


Figure 15 : fixation de charnière verrouillée en place

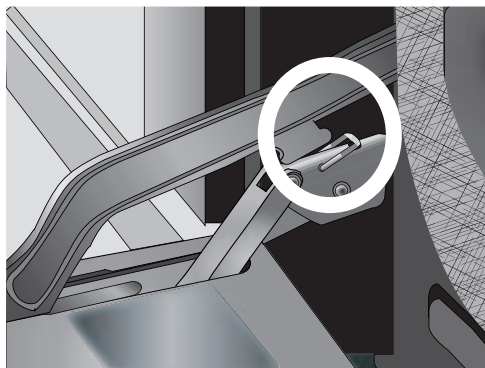


Figure 16 : fixation de charnière dégagée

Entretien

Marches à suivre à faire soi-même

Pour actionner le mode Sabbat :

Lorsque actionné, le four cuit pendant 72 heures avant de se mettre hors circuit automatiquement. Le mode Sabbat est conforme aux croyances religieuses avec les exigences « pas de travail »,

1. Presser et maintenir SET CLOCK (réglage pendule) et TIMER (minuterie) jusqu'à ce que SELE dEG figure.
2. Presser + ou – jusqu'à ce que SAb figure.
3. Presser SET CLOCK.
4. Presser + ou – pour choisir le format (choisir ON pour activer le mode ; OFF pour le mettre hors circuit).
5. Maintenir SET CLOCK jusqu'à ce que la pendule figure à l'affichage.
Il y a un délai de 5 minutes où ce qui suit peut être réglé.
6. Tourner le bouton à BAKE (cuisson).
7. Tourner le bouton pour régler TEMPÉRATURE.
8. Presser LIGHT (éclairage) pour mettre l'éclairage en ou hors circuit.
9. Après 5 minutes, le mode Sabbat est actionné. La température ne figure plus à l'affichage. Seule l'heure, « SAb » et l'icône du four figurent. L'éclairage de préchauffage et les tonalités sont désactivés.
L'éclairage du four ne peut être modifié une fois que le mode Sabbat est commencé.

Le mode Sabbat s'annule automatiquement après 72 heures. Pour annuler le mode plus tôt, tourner le bouton à OFF.

Changer le format pendule :

Le four est pré-réglé en format 12 heures et peut être réglé pour 24 heures.

1. Presser et maintenir SET CLOCK et TIMER jusqu'à ce que SELE dEG figure.
2. Presser + ou – jusqu'à ce que Hr figure.
3. Presser SET CLOCK.
4. Presser + ou – pour sélectionner le format (choisir 12 pour 12 heures et 24 pour 24 heures).
5. Maintenir SET CLOCK jusqu'à ce que la pendule s'affiche.

Pour changer le format température :

Le four est réglé en format Fahrenheit et peut être changé en Celsius.

1. Presser et maintenir SET CLOCK et TIMER jusqu'à ce que SELE dEG figure.
2. Presser SET CLOCK.
3. Presser + ou – pour choisir le format °C pour Celsius et °F pour Fahrenheit).
4. Maintenir SET CLOCK jusqu'à ce que la pendule figure à l'affichage.

Pour changer la calibration de température :

Le thermostat électronique a été calibré adéquatement. Toutefois, si les résultats de brunissage sont trop pâles ou foncés, augmenter ou diminuer le réglage.

1. Presser et maintenir SET CLOCK et TIMER jusqu'à ce que SELE dEG figure.
2. Presser + ou – jusqu'à ce que OFS figure.
3. Presser SET CLOCK.
4. Presser UPPER LOWER (supérieur/inférieur) pour choisir le four (four double seulement).
5. Presser + ou – pour régler le nombre de degrés de différence.
6. Maintenir SET CLOCK jusqu'à ce que la pendule figure à l'affichage.

REMARQUE : le décalage de température disponible est de + ou -35 °F. Un changement de la calibration modifie tous les modes.

Changer la tension de fonctionnement

Le four est pré-réglé pour une utilisation avec 240 VAC. Si la résidence est à 208 VAC, changer la tension du four.

La conversion au 208 V doit être effectuée par un technicien qualifié. Communiquer avec un marchand d'électroménagers ou communiquer avec un centre de Service Autorisé.

Aide – cuisson

Vérifier le tableau ci-dessous pour les problèmes de cuisson les plus courants. Puisque le format, la forme et le matériau des plats modifient directement les résultats de cuisson, la meilleure solution est de remplacer les vieux plats de cuisson qui ont foncé et voilé avec l'usure. Vérifier aussi le tableau de cuisson à convection à la page 9, la position des grilles et le temps de cuisson.

Tableau 8 : aide - cuisson

Problème de cuisson	Cause
Aliments brunissant non uniformément	<ul style="list-style-type: none"> - Four non préchauffé. - Papier aluminium sur la grille ou au fond du four. - Plat de cuisson trop grand pour la recette. - Plat touchant aux autres plats ou la paroi du four.
Aliment trop brun au fond	<ul style="list-style-type: none"> - Four non préchauffé. - Utilisation de plat en verre, mat ou foncé. - Position de grille incorrecte. - Plat touchant aux autres plats ou la paroi du four.
Aliment sec ou ayant rétréci.	<ul style="list-style-type: none"> - Température du four trop élevée. - Temps de cuisson trop long. - Porte du four trop souvent ouverte. - Plat trop grand.
Aliment cuisant ou rôtissant trop lentement	<ul style="list-style-type: none"> - Température du four trop basse. - Four non préchauffé. - Porte ouverte trop souvent. - Scellé hermétiquement avec du papier aluminium. - Plat trop petit.
Croûte à tarte non brunie au fond ou croûte non cuite	<ul style="list-style-type: none"> - Temps de cuisson pas assez long. - Utilisation de plat en acier brillant. - Position de grille incorrecte. - Température du four trop basse.
Gâteau pâle, plat ou non cuit à l'intérieur	<ul style="list-style-type: none"> - Température du four trop basse. - Temps de cuisson incorrect. - Gâteau vérifié trop tôt. - Porte du four trop souvent ouverte. - Plat trop grand.
Gâteau haut au centre avec craquelure sur le dessus	<ul style="list-style-type: none"> - Température de cuisson trop élevée. - Temps de cuisson trop long. - Plat touchant aux autres plats ou à la paroi du four. - Position de grille incorrecte. - Plat trop petit.
Bords de croûte de tarte trop bruns	<ul style="list-style-type: none"> - Température du four trop élevée. - Bords de croûte trop minces.

Aide – fonctionnement

Avant de placer un appel de service, vérifier ce qui suit :

Tableau 9 : aide – fonctionnement

Problèmes avec le four	Étapes pour résoudre un problème
Erreur F03 ou F04 figurant à l'affichage	Un problème de verrouillage est survenu. Mettre l'alimentation hors circuit et remettre en circuit après quelques secondes. Le four devrait effectuer un test de verrouillage. Si la condition persiste, noter le code d'erreur et téléphoner à un centre de service autorisé.
Autre erreur F____ figurant à l'affichage	Mettre l'appareil hors circuit et remettre en circuit après quelques secondes. Si la condition persiste, noter le code d'erreur et téléphoner à un centre de service autorisé.
Le display du four ne s'éteint pas	Coupez l'alimentation à la source principale (fusible ou disjoncteur). Remettez le disjoncteur. Le four devrait se régler seul et devrait fonctionner. Si le problème persiste, téléphonez au centre de service agréé.
Ventilateur de refroidissement continuant à fonctionner une fois le four hors circuit.	Ceci est normal. Le ventilateur se met automatiquement hors circuit lorsque les composants électroniques ont suffisamment refroidi.
La porte est verrouillée et ne s'ouvre pas même après le refroidissement.	Mettre le four hors circuit au coupe-circuit et attendre quelques secondes. Réenclencher le coupe-circuit. Le four devrait se réinitialiser et fonctionner.
Le four ne chauffe pas	S'assurer que la température est sélectionnée. Vérifier le coupe-circuit ou le fusible au panneau électrique résidentiel. S'assurer que l'alimentation électrique appropriée est appliquée au four.
Le four ne cuit pas uniformément.	Vérifier la calibration du four, la régler au besoin (voir page 17, décalage). Voir les tableaux de cuisson pour les positions de grilles. Toujours réduire la température de la recette de 25 °F pour le mode cuisson à convection.
La température du four est trop froide ou chaude.	Le thermostat du four doit être réglé. Voir Calibration de la température du four, page 17.
L'éclairage du four ne fonctionne pas adéquatement.	Remplacer ou réinsérer l'ampoule si elle est lâche ou défectueuse. Voir page 15. Le fait de toucher l'ampoule avec les doigts peut faire griller l'ampoule.
L'éclairage du four demeure en circuit.	L'éclairage s'allume automatiquement lorsque le four commence à chauffer. Presser LIGHT pour mettre hors circuit. Si le four est hors circuit, vérifier s'il y a une obstruction dans la porte du four ou si la charnière est pliée.
Ne peut enlever la lentille de l'ampoule.	Il peut y avoir une accumulation de saleté autour de la lentille. Essuyer avec un chiffon propre et sec avant d'enlever le couvercle.
Le four ne s'autonettoie pas correctement.	Laisser le four refroidir avant l'autonettoyage. Toujours essuyer les résidus et les déversements avant d'effectuer l'autonettoyage. Si le four est très sale, régler l'autonettoyage à 4 heures. Voir page 13.
La pendule et la minuterie ne fonctionnent pas adéquatement.	S'assurer que l'alimentation appropriée est appliquée au four. Voir les rubriques sur la pendule et la minuterie aux pages 2 et 8.
Humidité excessive.	Avec le mode cuisson, préchauffer d'abord le four. La cuisson à convection élimine toute humidité du four (c'est un des avantages de la convection).
Éclats de porcelaine.	Lorsque les grilles sont enlevées ou remises en place, toujours incliner vers le haut et ne pas les forcer pour éviter les éclats.

Contenido

Instrucciones Importantes de Seguridad	1	Modos del Horno	
Comenzar		Horneado	9
Para poner el reloj	2	Horneado de Convección	9
Para utilizar las luces del horno	2	Asado	10
Partes y Accesorios del Horno	3	Asado de Convección	10
Panel de Control del Horno	4	Tostado de Convección	11
Pantalla	4	Deshidratado	12
Perillas	4	Autolimpieza	13
Otras Características	4	Cuidado y Mantenimiento	
Consejos Generales para el Horno		Reemplazar un foco	15
Sugerencias para el Uso	5	Limpiar las Superficies del Horno	15
Ventajas del Cocinar de Convección	5	Quitar la Puerta del Horno	16
Acerca del Cocinar de Convección	5	Procedimientos para Hacerlo Usted Mismo	
Datos Generales de la Operación del Horno ..	5	Para activar el modo Sabatino	17
Precalentar el Horno	5	Para cambiar el formato del reloj	17
Moldes para Hornear	5	Para cambiar el formato de la temperatura	17
Rejillas del Horno	6	Para cambiar la calibración de la temperatura	17
La rejilla extensible	6	Para cambiar el voltaje de operación	17
Seleccionar la Posición de las Rejillas	7	Autoayuda	
Utilizar Múltiples Rejillas	7	Problema de Horneado	18
Condensación	7	Operación	19
Sensor de Temperatura	7		
Hornear a Gran Altitud	7		
Pautas a seguir para la temperatura de alimentos	7		
Configurar el Horno			
Para configurar el modo de cocinar	8		
Para ajustar el cronómetro (Timer)	8		
Para configurar el modo de cocinar utilizando el precalentado rápido	8		
Modos cronometrados de cocinar	8		
Para ajustar el modo cronometrado	8		
Para ajustar el modo retardado	8		

Comenzar



Instrucciones Importantes de Seguridad

Por favor lea todas las instrucciones antes de utilizar este aparato.

Con el uso apropiado, su nuevo horno de Fagor ha sido diseñado para ser un aparato seguro y confiable. **Lea todas las instrucciones cuidadosamente antes de utilizar este aparato. Estas precauciones reducirán el riesgo de sufrir quemaduras, descargas eléctricas, fuego y lesiones. Al utilizar aparatos de cocina, se deben seguir precauciones básicas de seguridad, incluyendo las siguientes:**

- Este aparato debe ser instalado y conectado a tierra correctamente por un técnico calificado. Conecte sólo a una toma de corriente con conexión a tierra. Consulte las instrucciones de preparación y conexión eléctrica en las instrucciones de instalación.
- Sólo un técnico calificado debe dar el servicio a este aparato. Contacte al centro de servicio autorizado más cercano para la inspección, reparación o ajustes.
- No repare o reemplace ninguna parte del horno a menos que fue recomendado específicamente. Solicite servicio en un centro de servicio autorizado.
- No opere esta unidad si no funciona bien o si fue dañada hasta que un técnico de servicio autorizado la haya revisado.
- Instale o ponga este aparato sólo de acuerdo con las instrucciones de instalación.
- Utilice este horno sólo para el uso indicado por el fabricante. Si tiene alguna pregunta, contacte al fabricante.
- No tape u obstruya ninguna abertura en este aparato.
- Use este aparato sólo para el uso indicado como se describe en este manual. No use químicos corrosivos, vapores, inflamables o productos no alimenticios en este aparato. Este tipo de horno está diseñado específicamente para calentar o cocinar alimentos. No está diseñado para uso industrial o de laboratorio. El uso de químicos corrosivos cuando calienta o limpia el horno dañará el aparato.
- En el caso de encenderse la ropa o el cabello, **ÉCHESE AL PISO Y DÉSE VUELTAS DE INMEDIATO** para apagar las llamas.
- Este horno está diseñado para uso residencial sólo. No está aprobado para el uso en exteriores.

CON RESPECTO A PÁJAROS

Los pájaros tienen sistemas respiratorios muy sensible. Mantenga los pájaros fuera de la cocina u otras habitaciones donde los puedan alcanzar los vapores de la cocina. Durante la autolimpieza, se liberan humos que pueden ser nocivos para los pájaros. Otros vapores de la cocina, como el sobrecalentar margarina y aceites para cocinar pueden ser nocivos también.

- No permita que niños utilicen este aparato a menos que estén supervisados por un adulto. Nunca se deben dejar solos a los niños y mascotas en el área donde se usa el aparato. Nunca se les debe permitir sentarse o pararse sobre ninguna parte del horno.
- No almacene cosas de interés para los niños arriba del horno. Cuando los niños se suben al aparato para alcanzar estas cosas, pueden sufrir heridas serias.

Para reducir el riesgo de un fuego dentro del horno:

1. No guarde materiales inflamables dentro o cerca del horno
2. No use agua con un incendio de grasa. Apague el fuego con un extinguidor químico de polvo o tipo espumar.
3. Tenga disponible un extinguidor de fuego apropiado, a la mano, altamente visible cerca de cualquier aparato de cocina. Sepa cómo usarlo.
4. No recueza los alimentos. Vigile el horno bien cuando utiliza cosas de papel o plástico u otros materiales combustibles dentro del horno.
5. No utilice el horno para almacenar cosas. Nunca deje productos de papel, utensilios de cocina o alimentos dentro del horno cuando no se usa.
6. En caso que se enciendan materiales dentro del horno, mantenga cerrada la puerta. Apague el horno y desconecte el circuito en la caja del cortacircuito.
7. No obstruya los ductos de ventilación del horno.
8. Asegúrese que funcione el ventilador cuando opera el horno. En caso contrario no use el horno. Llame a un centro de servicio autorizado.
9. Nunca utilice el horno para calentar una habitación. Esto puede dañar las partes del horno.
10. Use ropa apropiada por cuestión de seguridad. Nunca use prendas sueltas o que tengan mangas largas mientras que utiliza este aparato.



ADVERTENCIA

La Ley del Estado de California para Agua Potable y Tóxicos requiere que las empresas adviertan a sus clientes de la exposición potencial ante sustancias conocidas que causan cáncer, defectos de nacimiento u otros daños reproductivos.

La eliminación de residuos durante la autolimpieza genera algunos derivados que están en esta lista de sustancias.

Para minimizar la exposición a estas sustancias, siempre opere este horno de acuerdo a las instrucciones en este manual y proporcione una buena ventilación a la cocina durante e inmediatamente después de la autolimpieza.

Continúa en la siguiente página

Comenzar



Instrucciones Importantes de Seguridad

Por favor lea todas las instrucciones antes de utilizar este aparato.

PRECAUCIONES DE SEGURIDAD

- Recoja el cabello largo.
- Los elementos de calentamiento pueden estar calientes aún si son de un color oscuro. Las superficies internas de un horno pueden estar suficientemente calientes para causar quemaduras.
- Durante y después del uso, no permita que la ropa u otros materiales inflamables tengan contacto con los elementos de calentamiento o con la superficie interna del horno hasta que se hayan enfriado.
- La moldura en la parte superior y los costados de la puerta del horno puede calentarse suficientemente para causar quemaduras.
- Tenga cuidado cuando abra la puerta del horno. Abra la puerta ligeramente para dejar escapar el aire o vapor caliente antes de sacar los alimentos.
- No caliente o recaliente contenedores de alimentos cerrados. La presión acumulada puede causar la ruptura del contenedor y causar lesiones.
- Siempre coloque las rejillas del horno en el lugar deseado cuando el horno está frío. Cuando deba mover una rejilla mientras que el horno esté caliente, evite el contacto de la agarradera de la olla con los elementos calientes.
- Siempre use agarraderas secas para las ollas. Las agarraderas mojadas o húmedas sobre superficies calientes pueden causar quemaduras por el vapor. Evite el contacto de las agarraderas con los elementos calientes. No use una toalla u otro trapo estorboso.

PRECAUCIONES DE SEGURIDAD CON LA AUTOLIMPIEZA DEL HORNO

- Confirme que se cierra la puerta y que no se abrirá una vez que aparezca el icono de la puerta cerrada. Si la puerta no se cierra, oprima Horno OFF y no ejecute la autolimpieza. Llame a un Centro de Servicio Técnico autorizado.
- Nota: Durante un ciclo de autolimpieza normal y un ciclo de autolimpieza retardado, la puerta se cierra dentro de 25 a 30 segundos tras oprimir el botón Start (inicio).
- No limpie el empaque de la puerta. Es esencial para un sellado bueno. Debe tener cuidado de no frotar, dañar, mover o quitar el empaque de la puerta.
- No use detergentes comerciales para hornos o recubrimientos de protección de ningún tipo en o alrededor de alguna parte del horno.
- Limpie sólo las partes del horno listadas en este manual.
- **Quite la bandeja de asado, las rejillas del horno, todas las rejillas del horno, otros utensilios y limpie derrames excesivos de alimentos** antes de autolimpiarse el horno.
- Escuche si funciona el ventilador. Si no oye el ventilador, llame a un Centro de Servicio Técnico autorizado.

Comenzar

Para poner el reloj:

1. **Oprima SET CLOCK (Fijar la hora).** Las horas parpadean y **CLOCK** aparece en la pantalla.
2. **Oprima + o -** para fijar la hora.
3. **Oprima SET CLOCK.** Los minutos parpadean.
4. **Oprima + o -** para fijar los minutos.
5. **Oprima SET CLOCK**

El reloj aparece en la pantalla en todo momento excepto cuando se esté ejecutando el cronómetro o una operación de cocinar con conómetro.

Para utilizar las luces del horno:

1. **Oprima LIGHT (Luz)** para prender o apagar las luces del horno

Las luces del horno se prenden automáticamente al:

- abrir la puerta.
- prender el horno.

Las luces del horno se apagan automáticamente al:

- apagar el horno.
- cancelar el modo del horno.

Las luces no funcionan en el modo de autolimpieza.

Comenzar

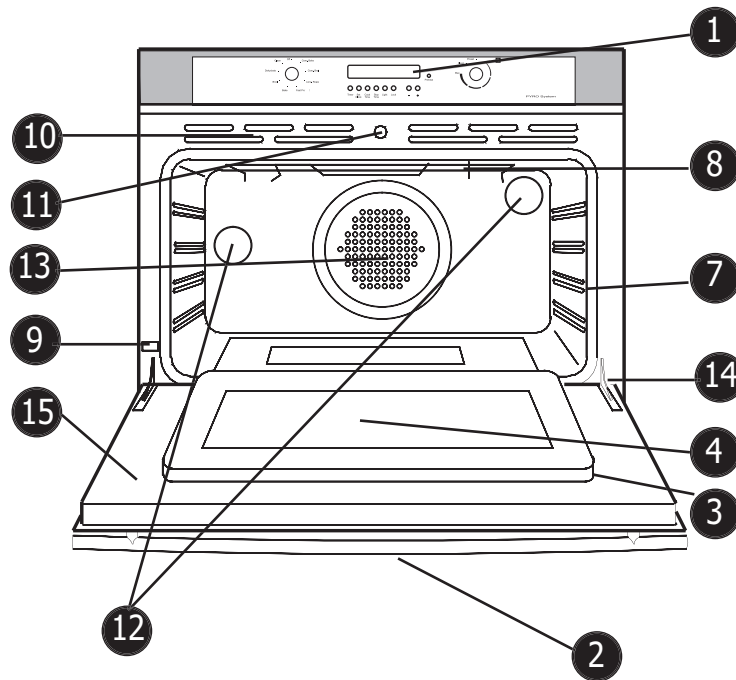


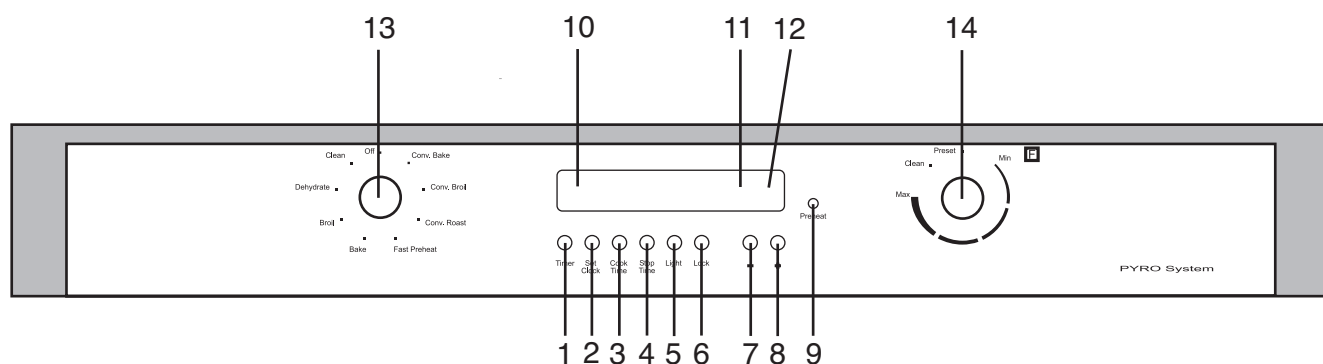
Figura 1: Partes del Horno

Partes y Accesorios del Horno:

- | | |
|--|---|
| 1 Panel de Control | 10 Aberturas de enfriamiento del horno |
| 2 Agarradera de la puerta | 11 Bloqueo automático de la puerta |
| 3 Empaque de la puerta del horno | 12 Lámparas de halógeno del horno |
| 4 Ventana | 13 Ventilador de convección y tapa |
| 5 Rejillas removibles del horno (no aparecen) | 14 Bisagra de la puerta |
| 6 Bandeja y rejilla de asado (no aparecen) | 15 Puerta removible del horno |
| 7 Guías de posición de rejillas (4) | 16. Juego de literatura |
| 8 Elemento para asar | |
| 9 Placa con # de Serie y Modelo | |

Comenzar

Panel de Control del Horno



Botones de comandos

1. **TIMER:** Oprima para fijar o borrar el cronómetro.
2. **SET CLOCK:** Oprima para fijar o cambiar la hora del día
3. **COOK TIME:** Oprima para fijar un modo de cocinar con cronómetro (el tiempo para cocinar).
4. **STOP TIME:** Oprima para fijar el tiempo de terminación en un modo de cocinar retardado.
5. **LIGHT:** Oprima para prender o apagar las luces.
6. **LOCK:** Para hornos sencillos oprima y mantenga oprimido lock y los botones + al mismo tiempo para activar o desactivar el bloqueo de seguridad.
7. **-:** Oprima para disminuir el tiempo en una de las funciones de arriba por un minuto a la vez. Oprima y mantenga oprimido para disminuir por 10 minutos a la vez.
8. **+:** Oprima para aumentar el tiempo en una de las funciones de arriba por un minuto a la vez. Oprima y mantenga oprimido para aumentar por 10 minutos a la vez.

Pantalla

9. **PREHEAT LIGHT:** Se ilumina cuando se está precalentando el horno.
10. **TIME:** Dígitos verdes a la izquierda de la pantalla. Indica la hora del día y el cronómetro.
11. **LA TEMPERATURA:** Dígitos rojos a la derecha de la pantalla. Indica la temperatura seleccionada del horno.
12. **LOCK ICONS:** Iconos rojos que aparecen dentro de los iconos de cuadro (boc icons). Indican que la puerta está cerrada (bloqueada).

Perillas

13. **MODE:** gire la perilla para seleccionar el modo de cocinar.
14. **LA TEMPERATURA:** gire la perilla para cambiar la temperatura del horno. Cuando se selecciona **PRESET** (Prefijado), se utiliza la temperatura por default.

Otras Características

15. **PITIDOS:** Un pitido señala que se aceptó la entrada de información, dos pitidos señalan que la entrada de información es inválida.
16. **CÓDIGOS DE NÚMEROS F:** Aparecen en la pantalla cuando el control detecta un problema en el horno o sus componentes electrónicos. Vea la sección sobre Ayuda, página 19, para mayor información.
17. **TEMPERATURAS POR DEFAULT:** Cada modo de cocinar tiene una temperatura por default que aparece cuando se gira la perilla de la temperatura a **PRESET** (Prefijado). La temperatura por default es la más común para el modo.
18. **MODO SABATINO:** Cuando se activa, el horno horneará por 73 horas antes de apagarse automáticamente. El modo Sabatino es para religiones que no permiten "trabajar" los Sábados.

Operar el Horno

Consejos Generales para el Horno

Sugerencias para el Uso

- Use las tablas de cocinar como una guía.
- No ponga los moldes sobre una puerta abierta del horno.
- Utilice la luz interna del horno para mirar los alimentos a través de la ventana del horno en lugar de abrir la puerta frecuentemente.
- Coloque los moldes en el centro del horno.

Ventajas del Cocinar de Convección

- Horneado uniforme.
- Los jugos y sabores quedan sellados adentro.
- Alimentos que se elevan con aire como bollos de crema, suflés, merengues y masa de levadura salen más elevados y más ligeros.
- Cocinar con múltiples rejillas sin transferir el sabor.
- No se requieren moldes especiales para hornear.
- Con el asado de convección se pueden asar cortes más gruesos de carnes.
- Ahorra tiempo y energía.

Acerca del Cocinar de Convección

Los modos normales de cocinar (horneado, asado, etc.) utilizan calor radiado desde uno o más elementos para cocer los alimentos. Los modos de convección utilizan tanto el calor de los elementos como un ventilador en la parte trasera del horno para circular el aire caliente continuamente a través del horno.

El resultado es una cocción más rápida y uniforme. Los modos de convección sellan la humedad natural y los sabores y pueden además ahorrar tiempo y energía puesto que se pueden cocer la mayoría de los alimentos con temperaturas más bajas y en menos tiempo (nunca debe reducir la temperatura cuando prepara carnes).

Además se reduce el tiempo de cocción debido a que se pueden utilizar múltiples rejillas a la vez. Usted puede hornear varias bandejas de galletas o varios platillos diferentes al mismo tiempo.

El horno utiliza la convección también para deshidratar. El bajo calor de los elementos es circulado a través del horno por el ventilador de convección para lentamente eliminar la humedad.

Consulte los "Modos de Cocinar" en este manual para mayor información sobre cada modo de convección.

Precalentar el Horno

- Precaliente el horno cuando utiliza los modos de horneado y horneado de convección a menos que la receta recomienda otra cosa.
- Use el modo de precalentar rápido para acortar el tiempo del modo de precalentado.
- Seleccionar una temperatura más alta no acorta el tiempo del precalentado.
- Se necesita precalentar para obtener buenos resultados al hornear pasteles, galletas, pastelitos y panes.
- Coloque las rejillas del horno en su posición correcta antes de precalentar.
- Durante el precalentado la pantalla muestra la temperatura de cocción seleccionada.
- Un pitido confirmará que el horno está precalentado y se apagará la luz indicadora del precalentado.
- Cuando opera con 208V, el tiempo de precalentado puede ser ligeramente mayor.

Moldes para Hornear

- Los moldes de vidrio absorben el calor. Reduzca la temperatura del horno 25°F (~4°C) cuando hornea en moldes de vidrio.
- Utilice moldes que producen el dorado deseado. El tipo de acabado del molde ayuda a determinar la cantidad de dorado que se producirá en el horno.
- Moldes brillosos, suaves de metal o moldes anodizados de teflón reflejan el calor, resultando un dorado más ligero y más delicado. Pasteles y galletas requieren este tipo de molde.
- Los moldes oscuros, ásperos o sin brillo absorben el calor, produciendo una costra más dorada y crujiente. Utilice este tipo de molde para pays.
- Utilice moldes oscuros de teflón, o moldes metálicos oscuros no brillosos o de vidrio para una costra dorada.
- Los moldes aislados para hornear pueden aumentar la duración del tiempo recomendado de horneado.
- No hornee con la bandeja de asado vacía dentro del horno ya que esto puede cambiar el desempeño del horneado. Guarde la bandeja de asado fuera del horno.
- Utilice bandejas para galletas que miden 19"x14" o menos para obtener mejores resultados.

Datos Generales de la Operación del Horno:

Se opera el horno a través de perillas y botones de comandos en el panel de control.

Los modelos de horno sencillo tienen una perilla de modo.

Los modelos de horno sencillo tienen una perilla de temperatura.

Los botones de comandos le permiten fijar la hora, el cronómetro, el tiempo de cocinar (para cocción cronometrada y retardada), el tiempo de detención (para la cocción retardada), las luces del horno y el bloqueo de seguridad para niños.

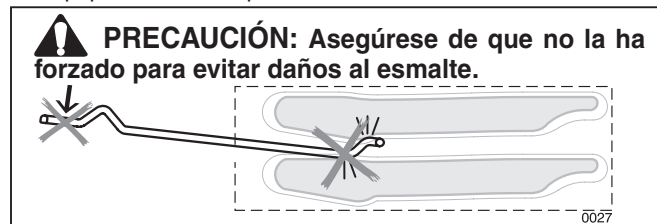
Consulte las secciones del Panel de Control/Pantalla y de la Operación del Horno para más detalles.

Operar el Horno

Consejos Generales para el Horno

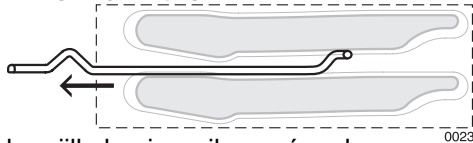
Rejillas del Horno

- El horno tiene guías para las rejillas en cuatro niveles que se muestran en la ilustración en la página 7. Las posiciones de rejilla están numeradas desde la rejilla inferior (#1) a la rejilla superior (#4).
- Consulte las tablas de cocinar para determinar las mejores posiciones de rejilla a utilizar.
- Asegúrese que las rejillas estén niveladas una vez colocadas en su posición.
- Las rejillas están diseñadas para detenerse cuando son jaladas hacia afuera hasta su límite.
- **PRECAUCIÓN!** Nunca utilice papel de aluminio para tapar las rejillas del horno o para forrar el horno. El calor atrapado debajo del papel de aluminio puede dañar el revestimiento del horno.

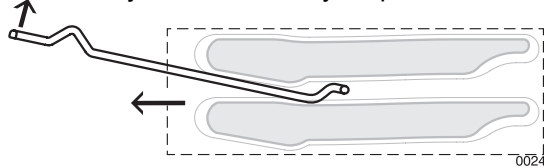


Para sacar las rejillas del horno:

1. Agarre la rejilla y empujela hacia atrás

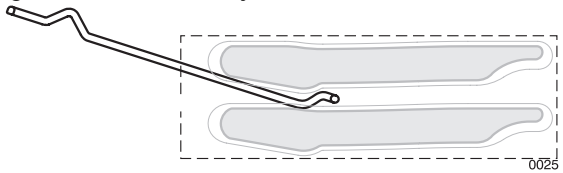


2. Incline la rejilla hacia arriba y sáquela

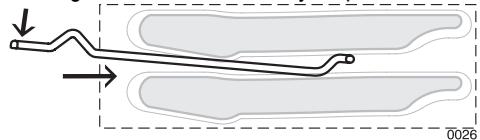


Para meter una rejilla del horno:

1. Coloque la parte de atrás de la rejilla entre las guías de nivel de rejilla



2. Mientras inclina la parte frontal de la rejilla hacia arriba, deslice la rejilla a lo largo de la vía mientras baja la parte frontal



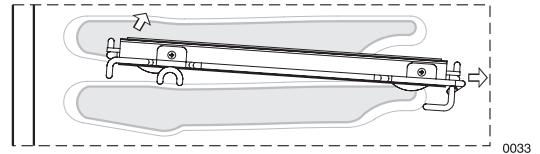
La rejilla extensible

- La rejilla extensible facilita el acceso a los alimentos en el horno. Se extiende más allá de la rejilla plana normal acercando los alimentos al usuario.

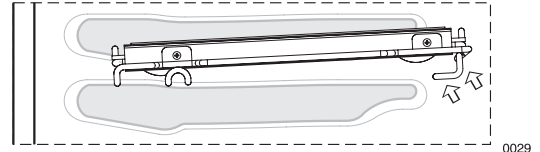
PRECAUCIÓN: Cuando la rejilla sale del horno no se bloquean los brazos laterales de deslizamiento. Éstos se podrían extender inesperadamente si se transporta la rejilla de modo incorrecto. Extender los brazos de deslizamiento puede causar lesiones. Se debe sostener o transportar la rejilla solamente agarrando los lados.

Sacarla del horno:

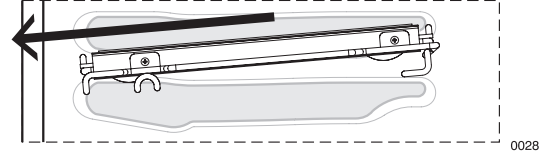
1. Levante el frente de la rejilla ligeramente y empuje la rejilla hacia adentro hasta que se libera el tope



2. Levante el fondo de la rejilla hasta que el marco y el tope queden libres de la guía



3. Jale la rejilla hacia abajo y sáquela



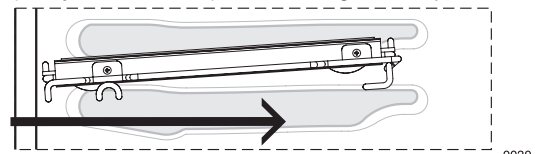
NOTA: Siempre saque la rejilla extensible antes de autolimpiar el horno.

PRECAUCIÓN! Para evitar quemaduras, jale la rejilla completamente y levante el molde arriba de la agarradera cuando transporta los alimentos al y del horno.

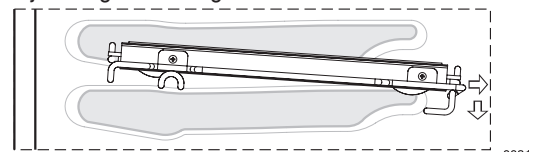
Si tiene dudas, como por ejemplo, qué lado es la parte frontal de la rejilla, tome como referencia la figura de la pág. 7.

Colocar la rejilla en el horno:

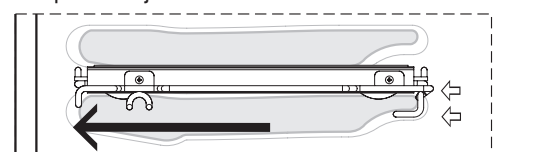
1. Agarre la rejilla firmemente en ambos lados. Coloque la rejilla (incluyendo el marco) arriba de la guía de rejilla deseada



2. Empuje la rejilla completamente hasta que el fondo de la rejilla caiga en su lugar



3. Hale ambas secciones hacia delante hasta que se active el tope. La rejilla debe estar recta no torcida



PRECAUCIÓN: Para evitar posibles quemaduras, coloque las rejillas del horno en las posiciones deseadas antes de prender el horno. Siempre use guantes cuando el horno está caliente.

Operar el Horno

Consejos Generales para el Horno

Seleccionar la Posición de las Rejillas

Vea la ilustración a la derecha.

Rejilla 4 - Posición más alta. Se utiliza para derretir queso rápidamente.

Rejilla 3 - Se utiliza para asar la mayoría de carnes y para tostar pan.

Rejilla 2 - Se utiliza para hornear pays, caserolas, panes, pasteles tipo bundt o pound, ligeros tostados o aves. Se usa también para asar cortes gruesos de carne.

Rejilla 1 - Posición más baja. Se utiliza pastel tipo bizcocho, tostados grandes, pavo.

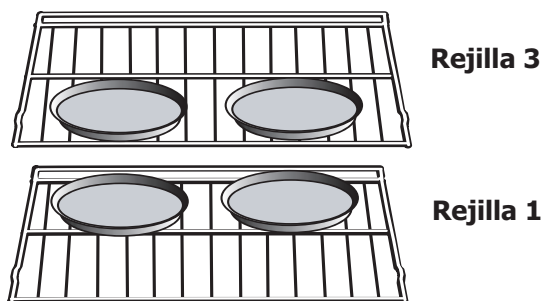


Figura 7: Colocación de los moldes en múltiples rejillas

Utilizar Múltiples Rejillas

Con 2 rejillas: Use las posiciones de rejilla 1 y 3.

Con 3 rejillas: Use las posiciones 2, 3 y 4.

Cuando hornea cuatro capas con pasteles al mismo tiempo, coloque los moldes de tal modo que ningún molde quede directamente encima de otro. Para lograr mejores resultados, coloque los moldes al frente de la rejilla superior y en el fondo de la rejilla inferior (Vea la ilustración a la derecha). Permita 1" a 1 1/2" de espacio libre alrededor del molde.

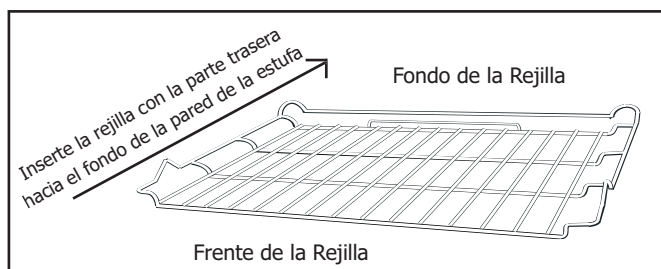


Figura 5: La rejilla plana

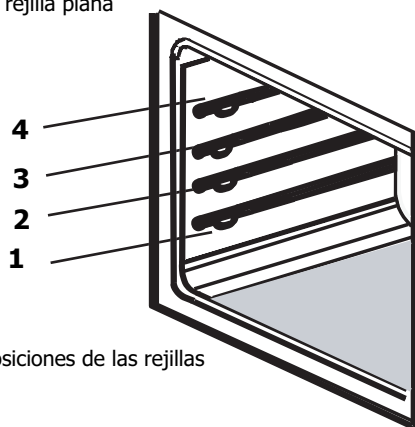


Figura 6: Posiciones de las rejillas

Condensación

Las aberturas de ventilación se encuentran encima de la puerta del horno. Es normal que salga vapor de las aberturas de ventilación y se puede acumular condensación en áreas arriba de la ventilación como por ejemplo en la pantalla

Sensor de Temperatura

Su nuevo horno tiene un sensor electrónico de temperatura, el cual mantiene con precisión la temperatura seleccionada. Su horno anterior tal vez tuvo un termostato mecánico que gradualmente cambiaba a una temperatura mayor. Como resultado, tal vez usted debe modificar sus recetas favoritas cuando empieza a utilizar su nuevo horno.

Hornear a Gran Altitud

Cuando cocina a gran altitud las recetas y los tiempos de cocinar varían de lo normal. Para información más precisa, escriba al Servicio de Extensión (Extension Service), Colorado State University, Fort Collins, Colorado 80521. Puede que los boletines tengan un costo.

PRECAUCIÓN:

Muchos factores afectan el desempeño al cocinar. Siempre revise los alimentos para estar seguro que están cocidos antes de servirlos.

Tabla 1: Pautas a seguir para las temperaturas de alimentos

Pautas a seguir para la temperatura de alimentos de FSIS (Servicio de Inspección y Seguridad de Alimentos USAD)	
140° F (60° C)	165° F (74° C)
<ul style="list-style-type: none"> Jamón, precocido (para recalentar) 	<ul style="list-style-type: none"> Carne molida y mezclas de carne (pavo, pollo) Relleno (cocido solo o en el ave) Sobras y guisados
145° F (63° C)	170° F (77° C)
<ul style="list-style-type: none"> Carne fresca de res, ternera, cordero (vuelta y vuelta) 	<ul style="list-style-type: none"> Carne fresca de res, ternera, cordero (bien cocida) Pechuga de pollo (aves) Carne fresca de puerco (bien cocida)
160° F (71° C)	180° F (82° C)
<ul style="list-style-type: none"> Carne molida y mezclas de carne (res, puerco, ternera, cordero) Carne fresca de res, ternera, cordero (medio) Carne fresca de puerco (medio) Jamón fresco (crudo) Platillos con huevos 	<ul style="list-style-type: none"> Pollo y jamón, (entero) Carne de aves (muslos y alas) Pato y ganso

Nota: Huevos (solos, no utilizados en una receta) - cocer hasta que la yema y la clara estén duras.

Operar el Horno

Configurar el Horno

Para configurar el modo de cocinar:

1. **Gire la perilla del modo** para seleccionar el modo de cocinar.
2. **Gire la perilla de temperatura** para seleccionar la temperatura. Seleccione **PRESET** para utilizar la temperatura por default.

A medida que se precalienta el horno, se prenden la luz roja de precalentamiento, la luz del horno y el ventilador. Cuando se alcanza la temperatura de precalentamiento, se apaga la luz roja de precalentamiento y el horno emite pitidos.

Para ajustar el cronómetro (Timer):

1. **Oprima TIMER.** **TIMER** aparece en la pantalla.
2. **Oprima TIMER nuevamente.** Las horas parpadean.
3. **Oprima + o -** para ajustar las horas.
4. **Oprima TIMER.** Los minutos parpadean.
5. **Oprima + o -** para ajustar los minutos.
6. **Oprima TIMER.**

Cuando termina el tiempo suena un pitido.

CONSEJO:

Mantenga oprimida la tecla + o - para cambiar el tiempo en incrementos de 10 minutos

Para configurar el modo de cocinar utilizando el precalentado rápido:

1. **Gire la perilla del modo** a **FAST PREHEAT**.
2. **Gire la perilla de temperatura** para seleccionar la temperatura.

A medida que se precalienta el horno, se prenden la luz roja de precalentamiento, la luz del horno y el ventilador. Cuando se alcanza la temperatura de precalentamiento, se apaga la luz roja de precalentamiento y el horno emite pitidos.

3. **Gire la perilla para seleccionar el modo de cocinar.**
4. Meta los alimentos al horno.

¡RECORDATORIO!

Cuando utiliza el **precalentado rápido**, debe **seleccionar el modo de cocinar** después de precalentar y antes de meter los alimentos al horno.

Modos cronometrados de cocinar

Use el modo cronometrado de cocinar para apagar el horno automáticamente. El modo retardado prende también el horno en forma automática.

- El reloj es ajustado para la hora correcta del día.
- El modo cronometrado apaga el horno al final del tiempo programado de cocinar.

Para ajustar el modo cronometrado:

1. **Gire las perillas** para seleccionar el modo y la temperatura.
2. **Oprima COOK TIME dos veces.** Las horas parpadean.
3. **Oprima + o -** para ajustar el número de horas.
Nota: Se debe incluir el tiempo requerido por el horno para alcanzar la temperatura en el tiempo programado.
4. **Oprima COOK TIME nuevamente.** Los minutos parpadean.
5. **Oprima + o -** para cambiar el número de minutos.
6. **Oprima COOK TIME** para confirmar el tiempo de cocinar.

El horno se apagará automáticamente al final del tiempo programado de cocinar.

Para ajustar el modo retardado:

1. Siga los pasos 1 hasta 6.
2. **Oprima STOP TIME dos veces.** **DELAY** aparece en la pantalla. **STOP TIME** y las **horas** parpadean.
3. **Oprima + o -** para cambiar las horas.
4. Oprima **STOP TIME** nuevamente. Los minutos parpadean.
5. **Oprima + o -** para cambiar los minutos.
6. Oprima **STOP TIME** para confirmar el tiempo de detención.

El horno calcula automáticamente la hora de día para comenzar.

El horno se apaga al final del tiempo programado de cocinar. La pantalla indica **END** y el horno emite pitidos. Se oyen pitidos de recordatorio y **COOK TIME** parpadea.

CONSEJO:

Oprima **COOK TIME** para ver la información del **modo cronometrado (timed mode)**.

Oprima **STOP TIME** para ver la información del **modo retardado (delayed mode)**.

Oprima **TIMER** para ver el **cronómetro**.

Operar el Horno

Modos del Horno

Horneado

Horneado es cocinar con aire seco, caliente. Tanto el elemento superior como el inferior se prenden en ciclos para mantener la temperatura del horno:

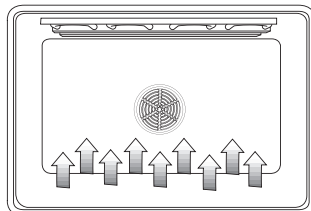


Figura 8: Horneado

Se puede usar el modo de Hornear para preparar una variedad de alimentos, desde pastelitos hasta guisados.

También se puede usar para asar carnes.

Para obtener mejores resultados:

- Cuando hornea en dos o más rejillas, utilice mejor el horneado de convección.

Horneado de Convección

Horneado de convección es similar al horneado. En este caso, el calor viene del elemento de calentamiento inferior y un tercer elemento detrás de la pared trasera. La principal diferencia en el horneado de convección es que el calor recircula a través del horno por el ventilador de convección:

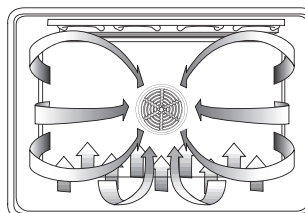


Figura 9: Horneado de Convección

El modo de Horneado de Convección sirve muy bien para hornear cantidades grandes de alimentos sobre múltiples rejillas. Se puede usar para preparar galletas, pays, pastelitos, panes, y botanas entre otras cosas. NO utilice el horneado de convección para carnes. Utilice mejor el asado de convección.

Los beneficios del horneado de convección incluyen:

- Ligera disminución del tiempo de hornear
- Hornear con 3 rejillas
- Mayor volumen (la levadura se eleva más)
- Hornear más alimentos a la vez

Para obtener mejores resultados:

- Reduzca la temperatura de la receta por 25° F. Consulte la tabla de Horneado de Convección para ejemplos.
- Ponga los alimentos en moldes planos, no tapados, como bandejas para galletas sin costados.
- Centre los moldes lado a lado sobre la rejilla del horno.
- No utilice el horneado de convección para preparar flan, quiche, pay de calabaza o pastel de queso. Estos alimentos no se benefician del proceso de calentar de convección. Utilice mejor el horneado estándar.

Tabla 2: Tabla del Horneado de Convección

Alimento	Posición de Rejilla	Temp. * (horno precalentado) (F°)	Tiempo de horneado de convección (min.)
Pastel			
Glaseado	2	325	17-19
Pastel Bundt	1	325	37-43
Bizcochos	1	325	35-39
Pay			
2 cortezas, fresco 9"	2	350 - 400	45-55
2 cort. fruta congel. 9"	2	350	68-78
Galletas			
Azúcar	2	325 - 350	6-11
Chocolate Chip	2	325 - 350	8-13
Brownies	2	325	29-36
Panes			
Pan de levadura, 9x5	2	350	
Rollos de levadura	2	350 - 375	18-22
Pan rápido, entero	2	325 - 350	12-15
8x4	2		45-55
Bollo, Panecillo	2	350 - 375	11-15
Molletes	2	400	15-19
Pizza			
Congelada	2	375 - 425	23-26
Fresca	2	400 - 425	12-15

Consejos rápidos para cocinar:

Convertir del horneado estándar al horneado de convección

- Reduzca la temperatura de la receta por 25° F.
- Revise oportunamente si ya están cocidos los alimentos:

Si la receta requiere...	Revise los alimentos...
1 - 15 min.	3 min. antes
16 - 30 min.	5 min. antes
31 min. - 1 hr.	10 min. antes

* La temperatura del horneado de convección es 25°F menos que la recomendada en los empaques o recetas. La temperatura en esta tabla ha sido reducida por 25° F.

** Esta tabla es una guía. Los tiempos verdaderos dependen de las mezclas y recetas horneadas. Siga las direcciones de la receta o del empaque y reduzca la temperatura de modo apropiado.

*** Cuando hornee de convección con dos rejillas, utilice las posiciones uno y tres. Con tres rejillas utilice las posiciones dos, tres y cuatro.

Operar el Horno

Modos del Horno

Asado

El Asado usa el calor intenso radiado del elemento superior:

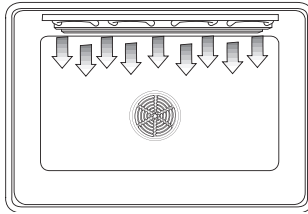


Figura 10: Asado

El modo de asado sirve mejor para cocinar cortes delgados, suaves de carne (1" o menos), pollo y pescado. Se puede usar también para dorar panes y guisados.

Los beneficios del Asado incluyen:

- Asado rápido y eficiente.
- Cocinar sin agregar grasas o líquidos.
- Los alimentos se doran mientras se cocinan.

Para obtener mejores resultados:

- No precaliente el horno.
- Los filetes y chuletas deben tener un grosor de al menos 3/4".
- Aplique mantequilla o aceite al pescado o pollo para evitar que se pegue.
- Use la bandeja y rejilla de asar incluida con su horno.
- No forre la rejilla del asador con papel de aluminio. Está diseñada para drenar las grasas y los aceites de la superficie y evitar manchas y humos.
- Voltee la carne una vez a mitad del tiempo recomendado para cocinar (vea la tabla de asado para ejemplos).
- Al dorar guisados, use sólo platos de metal o vidrio cerámico como Corningware®.
- Nunca use vidrio refractario (Pyrex®); no puede tolerar la temperatura alta.

SIEMPRE ASE CON LA PUERTA CERRADA

Tabla 3: Tabla de Asado

Alimento y Grosor	Posición de Rejilla	Posición de Asado	Temp. Interna (°F)	Tiempo Lado 1 (min)*	Tiempo Lado 2 (min)*
Carne de Res Filete (3/4"-1") Vuelta y Vuelta Medio Bien Cocido	3 3 3	5 5 5	145 160 170	5-7 6-8 8-10	4-6 5-7 7-9
Hamburguesas (3/4" - 1") Bien Cocido	3	5	160	7-9	5-7
Aves Pechuga (c./hueso) Muslo	3 3	3 3	170 180	14-16 14-16	14-16 11-13
Puerco Chuletas (1") Salchicha - fresca Rebanada de Jamón	3 3 3	5 5 5	160 160 160	7-9 5-7 3-5	5-7 4-7 4-6
Mariscos Filetes de Pescado, 1" Con Mantequilla	3	4	Cocinar hasta que se quede opaco y se desmenuza con facilidad	10-14	No lo voltee
Cordero Chuletas (1") Vuelta y Vuelta Medio Bien Cocido	3 3 3	5 5 5	145 160 170	5-7 6-8 8-10	4-6 5-7 7-9
Pan Pan de Ajo, rebanadas de 1"	3	5		4-6	

Asado de Convección

El Asado de Convección es similar al Asado. Combina el calor intenso del elemento superior con el aire circulado por el ventilador de convección:

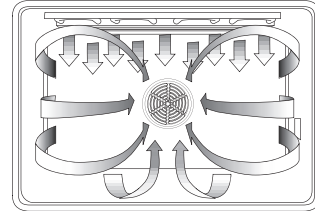


Figura 11: Asado de Convección

El modo de Asado de Convección sirve bien para cocinar cortes delgados, suaves de carne, pollo y pescado. Generalmente no se recomienda el asado de convección para dorar panes, guisados y otros alimentos.

Los beneficios del Asado de Convección, además de los beneficios del asado normal, incluyen:

- Cocinado más rápido que con el asado normal.

Para obtener mejores resultados:

- No precaliente el horno.
- Las carnes deben tener un grosor mínimo de 1 1/2".
- Voltee la carne una vez a mitad del tiempo recomendado para cocinar (vea la tabla de asado de convección para ejemplos).
- Use la bandeja y rejilla de asar incluida con su estufa.
- No forre la parilla del asador con papel de aluminio. Está diseñada para drenar las grasas y los aceites de la superficie y evitar manchas y humos.
- Eche sal después de cocinar.

SIEMPRE ASE DE CONVECCIÓN CON LA PUERTA CERRADA

Tabla 4: Tabla de Asado de Convección

Alimento y Grosor	Posición de Rejilla	Posición de Asado	Temp. Interna (°F)	Tiempo Lado 1 (min)*	Tiempo Lado 2 (min)*
Carne de Res Filete (1-1/2" o más) Vuelta y Vuelta Medio Bien Cocido	2 2 2	450 450 450	145 160 170	12-14 15-17 18-20	11-13 13-15 16-17
Hamburguesas (más de 1") Bien Cocido	3	550	160	11-13	8-10
Aves Cuartos de Pollo Pechuga de Pollo	3 3	450 450	180 (muslo) 170	13-15 14-16	10-12 12-14
Puerco Chuletas (1 1/4" o más) Salchicha - fresca	2 3	450 450	160 160	12-14 4-6	13-15 3-5

*Los tiempos del Asado y Asado de Convección son aproximados y pueden variar ligeramente.

Operar el Horno

Modos del Horno

Tostado de Convección

El Tostado de Convección usa el calor de los elementos superiores e inferiores así como el calor circulado por el ventilador de convección:

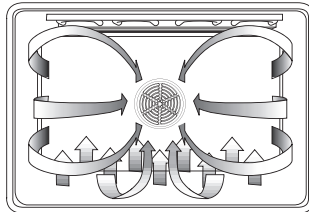


Figura 12: Tostado de Convección

El modo de Tostado de Convección sirve muy bien para preparar cortes suaves de carne y pollo.

Los beneficios del tostado de convección incluyen:

- Hasta un 25% más rápido para cocinar que el Tostado/Horneado normal
- Un dorado uniforme

Para obtener mejores resultados:

- Use la misma temperatura que se indica en la receta.
- Revise el término de la carne oportunamente, ya que se puede disminuir el tiempo de asado por un 25%. Consulte la tabla del asado de convección para ejemplos.
- No tape la carne o use bolsas.
- Use la bandeja y rejilla de asado que viene incluida con la estufa. También se puede usar una olla no tapada y poco profunda.
- Use un termómetro para carne para determinar la temperatura interna de la carne.
- Cuando la carne ya se doró como le gusta, pero aún no se coció, puede colocar una pequeña tira de papel de aluminio encima del pecho para evitar que se dore demasiado.
- Después de sacar la carne del horno, cúbrala con papel de aluminio 10 - 15 minutos.

Tabla 5: Tabla del Tostado de Convección

Carnes	Peso (lbs.)	Temp. Horno (°F)	Posición de Rejilla	Tiempo* Tostado (min. por lb.)	Temperatura Interna (°F)
Res Costillas	4 - 6	325	2	24-30 27-33	145 (vuelta/v.) 160 (medio)
Rib Eye (sin hueso)	4 - 6	325	2	22-30 27-33	145 (vuelta/v.) 160 (medio)
Churrasco, Eye Tip, Sirloin (sin hueso)	3 - 6	325	2	22-28 27-33	145 (vuelta/v.) 160 (medio)
Tenderloin Tostado	2 - 3	425	2	15-25	145 (vuelta/v.)
Puerco Lomo (con o sin hueso)	5 - 8	350	2	20-30	160 (medio)
Hombro	3 - 6	350	2	25-35	160 (medio)
Aves Pollo entero	3 - 4	375	2	12-18	180
Pavo sin relleno**	12-15	325	1	10-14	180
Pavo sin relleno**	16-20	325	1	9-11	180
Pavo sin relleno**	21-25	325	1	6-10	180
Pechuga Pavo	3 - 8	325	1	15-20	170
Codorniz	1 - 1 ½	350	2	45-75 total	180
Cordero Media Pierna	3 - 4	325	2	25-30 30-35	160 (medio) 170 (bien c.)
Pierna Entera	6 - 8	325	1	25-30 30-35	160 (medio) 170 (bien c.)

*Los tiempos del tostado son aproximados y pueden variar dependiendo de la forma de la carne. Se basan en carne descongelada.

**Pavo relleno requiere de un tiempo adicional de tostado. La mínima temperatura segura para el relleno en pavo es 165°F.

Consejos rápidos y fáciles: Convertir del horneado estándar al tostado de convección

- NO cambie la temperatura de la receta.
- Utilice los tiempos de tostado en la tabla a la derecha

Operar el Horno

Modos del Horno

Deshidratado

El deshidratado seca alimentos con calor de un tercer elemento detrás de la pared trasera del horno. El calor circula a través del horno por el ventilador de convección.

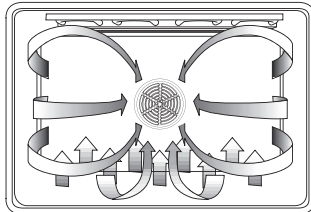


Figura 13: Deshidratado

Se usa el deshidratado para secar y/o conservar alimentos como frutas, verduras y especias. Este modo mantiene una temperatura baja óptima (120° F - 160° F) mientras circula el aire caliente para eliminar lentamente la humedad.

Para obtener mejores resultados:

- Seque especias a 120°F. Seque la mayoría de frutas y verduras a 140° F. (Consulte la tabla de deshidratado para ver ejemplos).
- Los tiempos de secado varían debido a la humedad y el contenido de azúcar en el alimento, el tamaño de las piezas alimenticias, la cantidad de alimentos que se están secando y la humedad en el aire. Revise los alimentos cuando llegue al tiempo mínimo de secado.
- Se pueden usar múltiples rejillas al mismo tiempo. Para obtener rejillas adicionales de secado, contacte a su distribuidor de Fagor.
- Trate frutas con antioxidantes para evitar la decoloración.
- Consulte un libro de conservación de alimentos, la Oficina Cooperativa del condado o una librería para obtener información adicional.

Tabla 6: Tabla de Deshidratado

Alimento	Preparación	Tiempo* de Secado (hrs.) Aproximado	Prueba del Terminado
Fruta Manzana	Sumergido en ¼ vaso con jugo de limón y 2 vasos de agua, rebanadas de ¼"	11-15	Ligeramente flexible
Plátano	Sumergido en ¼ vaso con jugo de limón y 2 vasos de agua, rebanadas de ¼"	11-15	Ligeramente flexible
Cereza	Lavar y secar con toalla. Para cerezas frescas, quitar huesos	10-15	Flexible, duro, masticable
Cáscara y trozos de naranja	Trozos de naranja ¼"; la parte de la cáscara está ligeramente pelada de la naranja	Cáscara: 2-4 Trozos: 12-16	Cáscara de Naranja: seca y frágil. Trozos de Naranja: las cáscaras están secas y frágiles, la fruta poco húmeda
Anillos de piña	Secado con toalla	En lata: 9-13 Fresca: 8-12	Suave y flexible
Fresa	Lavar y secar c/toalla. Rebanadas de ½", la piel (exterior) está sobre la rejilla	12-17	Seco, frágil
Verduras Chiles	Lavar y secar c/toalla. Quitar la membrana del chile, cortada en rebanadas grandes de aprox. 1"	16-20	Duro sin tener humedad en el interior
Hongos	Lavar y secar c/toalla. Cortar el tallo, Cortar en rebanadas de 1/8"	7-12	Duro y seco
Jitomates	Lavar y secar c/toalla. Cortar en rebanadas de 1/8", drenar bien	16-23	Seco, color de ladrillo rojo
Especias Orégano, perejil verde, tomillo e hinojo	Enjuagar y secar con toalla de papel	Secar a 120°F 3-5 hrs	Crujiente y frágil
Albahaca	Usar las hojas de albahaca de 3 a 4 pulgadas desde la punta. Rocíar con agua, sacudirlo y secarlo a golpecitos	Secar a 120°F 3-5 hrs	Crujiente y frágil

El horno se quedará prendido por 48 horas antes de apagarse en forma automática.

Cuidado y Mantenimiento

Autolimpieza

Durante la autolimpieza, el horno usa una temperatura muy alta para eliminar restos de comida y grasa.

- Como característica de seguridad, se bloquea la puerta del horno durante la autolimpieza para protegerlo de las altas temperaturas. No trate de abrir el horno durante el modo de autolimpieza.
- Es algo normal ver humo y/o una llama ocasional durante el ciclo de la autolimpieza, dependiendo del contenido y de la cantidad de suciedad que queda en el horno. Cuando persiste una llama, apague el horno y permita que se enfríe antes de abrir la puerta para limpiar los restos de comida con un trapo.
- La lámpara del horno no funciona durante el modo de autolimpieza.
- No utilice detergentes comerciales de hornos ya que éstos pueden dañar el acabado o las partes.
- Calor y olores son normales durante el ciclo de la autolimpieza. Ventile la cocina bien.

Nota: Debido a las altas temperaturas utilizadas para la autolimpieza, se pueden formar líneas finas o una superficie rugosa en la cavidad del horno. Es una condición común y no afecta el desempeño de la cocción o de la limpieza del horno.

Antes de la Autolimpieza

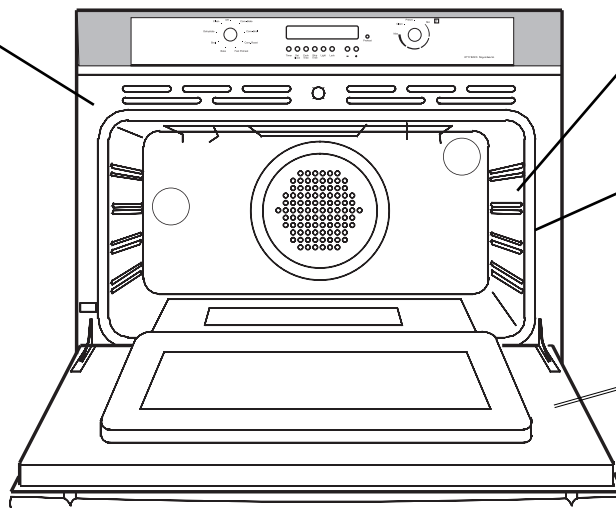
1. Limpie a mano el borde de la puerta del horno, el bastidor delantero y los bordes de la cavidad del horno (vea las figuras abajo). No se calientan suficientemente durante la autolimpieza para eliminar los residuos. Use una esponja jabonosa o un raspador de plástico.
NO FROTE EL EMPAQUE.
2. Limpie los restos de alimentos y la grasa con toallas de papel.
3. Saque la bandeja de asado, todos los utensilios y moldes.
4. **Saque las rejillas del horno.** Si se dejan las rejillas en el horno durante la autolimpieza perderán su acabado brillante y dejarán de deslizarse suavemente sobre las guías de rejillas. Vea "Limpiar las Superficies del Horno", página 15 para el cuidado apropiado.
5. Asegúrese que la lámpara esté apagada en el panel de control y que el foco y la cubierta estén en sus lugares.

Después de la Autolimpieza

- El modo de autolimpieza puede producir cenizas que se acumularán dentro del horno. Cuando esto sucede, saque las cenizas con un trapo húmedo antes de utilizar el horno.
- Aplique aceite comestible a los bordes de las rejillas para un mejor deslizamiento. Quite el exceso de grasa.

IMPORTANTE: Asegúrese de dejar enfriar completamente el vidrio de la ventana en la puerta del horno antes de quitar cualquier ceniza que quedó como residuo del ciclo de limpieza.

Limpie el bastidor delantero a mano



Limpie a mano a una distancia de 1-1/2" de las guías de rejillas hasta el frente de la cavidad del horno

NO limpie el empaque a mano

Limpie el marco y la puerta a mano

Figura 14: Antes de la Autolimpieza

Cuidado y Mantenimiento

Autolimpieza

Para ajustar el modo de autolimpieza:

1. Saque las rejillas del horno y cierre la puerta.
2. **Gire ambas perillas a AUTOLIMPIEZA.**

NOTA:

El símbolo de bloqueo seguirá parpadeando si la puerta está abierta al seleccionar el modo de auto-limpieza. El ciclo de autolimpieza no se iniciará hasta cerrar la puerta

CLEAN y **TIME** aparecen en la pantalla.

El horno se limpiará por tres horas. Al final del tiempo programado de limpieza, el horno se apagará en forma automática.

END aparecerá en la pantalla. **CLEAN** y **TIME** parpadean hasta que se oprima un botón o se gire la perilla a **OFF**.

Para cambiar el tiempo de limpieza

El tiempo de limpieza prefijado es tres horas. Para residuos ligeros, utilice dos horas, para residuos resistentes, utilice cuatro horas.

1. Ajuste el modo de autolimpieza como se ve arriba.
2. **Oprima COOK TIME (Tiempo de Cocinar).**
3. **Oprima + o -** para cambiar el número de horas.
4. **Oprima COOK TIME dos veces.**

Para retardar el inicio de la limpieza

Nota: La hora del día debe ser precisa para que el retardo funcione bien.

1. Ajuste el modo de autolimpieza como se ve arriba.
2. Cambie el tiempo de limpieza (arriba), si lo desea.
3. Ajuste la hora del inicio de la autolimpieza:

Oprima STOP TIME dos veces.

Oprima + o - para fijar las horas.

Oprima STOP TIME.

Oprima + o - para fijar los minutos.

Oprima STOP TIME.

Se bloquea la puerta del horno y **DELAY** aparece en la pantalla.

4. Al terminar el tiempo de retardo, empieza la autolimpieza.

El horno se apagará automáticamente al final del tiempo programado de limpieza.

END aparecerá en la pantalla. **CLEAN** y **TIME** parpadean hasta que se oprima un botón o se gire la perilla a **OFF**.

PARA CANCELAR:

Para cancelar la autolimpieza gire la perilla a OFF. La puerta del horno permanecerá cerrada hasta que el horno haya alcanzado una temperatura segura.

Acerca del bloqueo de la puerta:

No trate de abrir la puerta mientras que está bloqueada.

El símbolo de bloqueo seguirá parpadeando hasta que se cierra la puerta. Cuando aparece el símbolo de bloqueo no se puede abrir la puerta.

Asegúrese que la puerta está bloqueada y que no se abrirá antes de iniciar el modo de autolimpieza.

Cuando la puerta no se bloquea, gire la perilla a la posición OFF y no inicie el modo de la autolimpieza; contacte con un Centro de Servicio Técnico autorizado.

CONSEJO:

Para revisar el **tiempo de limpieza retardada**, oprima **COOK TIME**.

Para revisar el **tiempo restante antes de que inicie el modo retardado**, oprima **STOP TIME**.

Cuidado y Mantenimiento

Limpiar las Superficies del Horno

Tabla 7: Métodos de Limpieza de las Superficies del Horno

Superficie	Método de Limpieza
Rejillas (Horno)	Lave con agua jabonosa caliente. Enjuague cuidadosamente y seque o suavemente frote con esponjillas rellenas de jabón o polvo limpiador según instrucciones. Si se limpian las rejillas en el horno durante el modo de autolimpieza, perderán su acabado brillante y tal vez dejan de deslizarse suavemente. Si esto sucede, limpie los bordes de las rejillas con una cantidad pequeña de aceite vegetal, luego limpie el exceso.
Fibra de Vidrio (Empaque)	NO LIMPIE EL EMPAQUE A MANO.
Cristal (Ventana, pantalla)	Lave con jabón y agua o un limpiador para vidrio. Use un producto de limpieza adecuado para quitar salpicaduras grasosas y manchas duras.
Pintura (Exterior)	Limpie con agua jabonosa caliente o aplique un producto de limpieza adecuado primero a una esponja limpia o una toalla de papel y limpie. Evite el uso de limpiadores en polvo y esponjillas de fibra metálica y detergentes para hornos.
Porcelana (Interior)	Limpie de inmediato derrames ácidos como jugos de fruta, leche y jitomate con una toalla seca. No use una esponja/toalla húmeda sobre porcelana caliente. Cuando ya está fría, limpie con agua jabonosa caliente o aplique un producto de limpieza adecuado a una esponja húmeda. Enjuague y seque. Para manchas resistentes, use suavemente esponjillas con jabón. Es normal que la porcelana se agriete (líneas finas) con el tiempo debido a la exposición al calor y residuos de comida.
Acero Inoxidable (Exterior)	Siempre limpie con el grano. Limpie con una esponja jabonosa luego enjuague y seque o limpie con un producto de limpieza adecuado aplicado a una toalla de papel. Proteja y pula con un producto adecuado y un trapo suave. Quite las manchas de agua con un trapo humedecido con vinagre blanco. Use un producto adecuado para quitar la decoloración térmica.
Plástico (Perillas, Controles)	Cuando están fríos, limpie con agua jabonosa, enjuague y seque.

Reemplazar la Lámpara del Horno

- Cada horno incluye dos lámparas de halógeno ubicadas en la parte trasera del horno.
- Se prenden las luces al abrir la puerta o cuando el horno está en un ciclo de cocinar.
- Las luces del horno no funcionarán durante la autolimpieza.
- Cada conjunto de lámparas consiste en un lente removible, un foco así como un casquillo fijo (vea la Figura 17, siguiente página).

Reemplazar un foco (vea Figura 17, sig. página):

1. Lea la ADVERTENCIA en esta página.
2. Apague la corriente en la principal fuente de alimentación (caja de fusibles o interruptor).
3. Desatornille el lente y sáquelo.
4. Jale el foco de su casquillo para sacarlo.
5. Reemplace el foco por uno nuevo. Evite tocar el foco con los dedos, ya que la grasa de las manos puede dañar el foco cuando éste se calienta.
6. El foco es de halógeno: Utilizar uno con los mismos Volt y Watt.
7. Vuelva a atornillar el lente.
8. Reemplace la cubierta del ventilador (si aplica).
9. Prenda la corriente en la principal fuente de alimentación (caja de fusibles o interruptor).



ADVERTENCIA

- Asegúrese que el horno y las lámparas estén fríos y de haber desconectado el horno antes de reemplazar los focos. En caso contrario puede sufrir una descarga eléctrica o quemaduras.
- Al usar el horno deben estar en su lugar los lentes.
- Los lentes sirven de protección para evitar que se rompan los focos.
- Los lentes son de vidrio. Manéjelos con cuidado para evitar que se rompan. Vidrio roto puede causar lesiones.

Cuidado y Mantenimiento

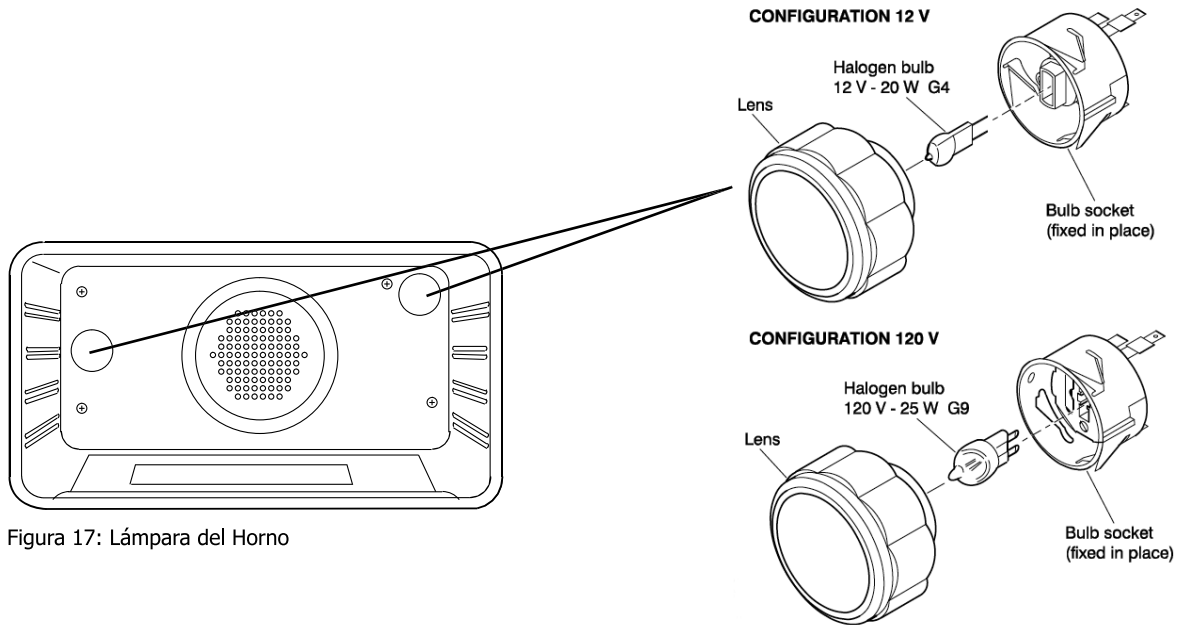


Figura 17: Lámpara del Horno

Quitar la Puerta del Horno

ADVERTENCIA

- Asegúrese que el horno esté frío y que se haya apagado la corriente antes de quitar la puerta. De otro modo puede causar una descarga eléctrica o quemaduras.
- La puerta del horno está pesada y frágil. Use ambas manos para quitar la puerta. El frente de la puerta está hecho de vidrio, Tenga cuidado de no romperla.
- Agarre sólo los costados de la puerta del horno. No use la agarradera ya que puede girar en su mano y causar daños o heridas.
- Si no agarra la puerta del horno firmemente y de modo correcto, puede causar lesiones a personas o daños al producto.

ADVERTENCIA

Para evitar lesiones debido al cierre rápido del soporte de las bisagras, asegúrese que ambas palancas estén bien fijadas antes de quitar la puerta. Además, no aplique fuerza a la puerta para abrir o cerrarla - se puede dañar la bisagra y causar lesiones.

Para quitar la puerta del horno:

1. Asegúrese de leer la ADVERTENCIA anterior antes de tratar de quitar la puerta.
2. Abra la puerta completamente.
3. Levante los soportes de bisagras (uno en cada lado) a las ranuras (vea Figura 15).
4. Cierre la puerta ligeramente hasta que enganchen los soportes de bisagras.
5. Cierre la puerta dejándola mitad abierta (hasta que se detenga).
6. Sosteniendo la puerta firmemente en ambos lados.
7. Jálela hacia arriba y ponga la puerta en un lugar estable.

Para reinstalar la puerta del horno:

1. Sosteniendo la puerta firmemente con ambas manos, coloque las bisagras en las ranuras.
2. Abra la puerta completamente para liberar las bisagras (una en cada lado).
3. Abra y cierre la puerta lenta y completamente para verificar la instalación.

La puerta debe cerrar fácilmente estar recta, no torcida.

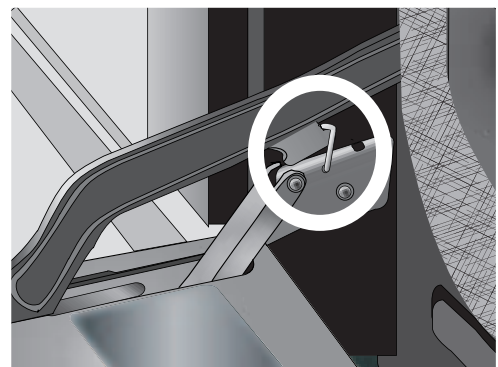


Figura 15: Soporte de bisagras bloqueado en su lugar

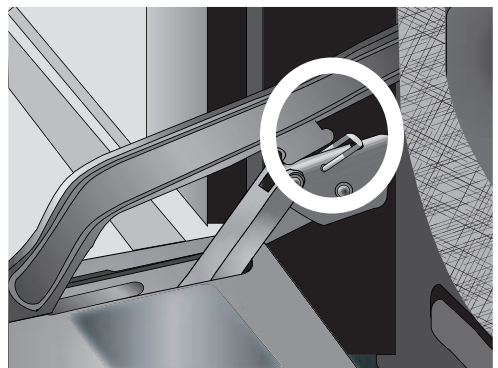


Figura 16: Soporte de bisagras liberado

Cuidado y Mantenimiento

Procedimientos para Hacerlo Usted Mismo

Para activar el modo Sabatino:

Cuando se activa, el horno horneará por 73 horas antes de apagarse automáticamente. El modo aplica para religiones que no permiten "trabajar" los Sábados.

1. **Oprima y mantenga oprimido SET CLOCK y TIMER** hasta que aparezca **SELE dEG**.
2. **Oprima + o -** hasta que aparezca **SAB**.
3. **Oprima SET CLOCK**.
4. **Oprima + o -** para seleccionar el formato (escoja ON para activar el modo Sabatino; escoja OFF para apagarlo).
5. **Mantenga oprimido SET CLOCK** hasta que aparezca clock (reloj) en la pantalla.
Habrá un retardo de cinco minutos donde se puede ajustar lo siguiente:
6. **Gire la perilla a BAKE** (Hornear).
7. **Gire la perilla** para ajustar la **temperatura**.
8. **Oprima LIGHT** para prender o apagar las luces del horno.
9. Después de 5 minutos se activa el modo Sabatino. La pantalla ya no indica la temperatura. Solamente aparecen la hora, "SAB" y el icono(s) del horno. También se deshabilitan las luces de precalentamiento y todos los pitidos.
No se pueden cambiar las luces del horno una vez que inicia el modo Sabatino.
El modo Sabatino se cancela automáticamente después de 72 horas. Para cancelar el modo Sabatino antes, gire la perilla a **OFF**.

Para cambiar el formato del reloj

El horno viene preconfigurado para un formato de 12 horas, sin embargo se puede cambiar para indicar un formato de 24 horas.

1. **Oprima y mantenga oprimido SET CLOCK y TIMER** hasta que aparezca **SELE dEG**.
2. **Oprima + o -** hasta que aparezca **Hr**.
3. **Oprima SET CLOCK**.
4. **Oprima + o -** para seleccionar el formato (escoja 12 para formato de 12 horas, 24 para formato de 24 horas).
5. **Mantenga oprimido SET CLOCK** hasta que aparezca clock (reloj) en la pantalla.

Para cambiar el formato de la temperatura:

El horno viene preconfigurado para un formato de temperatura en grados Fahrenheit, sin embargo se puede cambiar para indicar la temperatura en grados Celso.

1. **Oprima y mantenga oprimido SET CLOCK y TIMER** hasta que aparezca **SELE dEG**.
2. **Oprima SET CLOCK**.
3. **Oprima + o -** para seleccionar el formato (escoja °C para grados Celso; escoja °F para Farenheit).
4. **Mantenga oprimido SET CLOCK** hasta que aparezca clock (reloj) en la pantalla.

Para cambiar la calibración de la temperatura:

El termostato electrónico ha sido calibrado cuidadosamente; sin embargo, cuando el dorado resulta muy claro o muy oscuro para su gusto, usted puede subir o bajar esta calibración de la temperatura.

1. **Oprima y mantenga oprimido SET CLOCK y TIMER** hasta que aparezca **SELE dEG**.
2. **Oprima + o -** hasta que aparezca **OFS**.
3. **Oprima SET CLOCK**.
4. **Oprima UPPER LOWER** para seleccionar el horno (solamente hornos dobles).
5. **Oprima + o -** para ajustar el número de diferencia de grados.
6. **Mantenga oprimido SET CLOCK** hasta que aparezca clock (reloj) en la pantalla. **Nota:** El rango disponible para compensar la temperatura es de + o - 35°F. Un cambio en la calibración afecta todos los modos.

Para cambiar el voltaje de operación

El horno viene preconfigurado para el uso con 240 VAC. Si en su casa hay 208 VAC, se puede cambiar el voltaje del horno.

Un técnico calificado debe realizar la conversión a 208V. Contacte con un Centro de Servicio Técnico Autorizado.

Autoayuda - Horneado

Consulte la tabla abajo para ver las causas de los problemas más comunes al hornear. Debido a que el tamaño, la forma y el material de los utensilios de hornear tienen un efecto directo sobre los resultados del horneado, la mejor solución podría ser reemplazar los viejos utensilios de hornear que se han oscurecido y deformado con el tiempo y el uso. Revise también la tabla de horneado de convección en la página 9, la posición de rejilla y el tiempo de hornear.

Tabla 8: Autoayuda - Horneado

Problema de Horneado	Causa
Los alimentos se doran poco uniformes	<ul style="list-style-type: none"> – El horno no está precalentado – Papel de aluminio en la rejilla o fondo del horno – Utensilios de hornear son demasiado grandes – Los moldes tienen contacto o tocan la pared
Los alimentos quedan muy dorados en la parte inferior	<ul style="list-style-type: none"> – El horno no está precalentado – Se usa un molde de vidrio, mate o de metal oscuro – Posición incorrecta de la rejilla – Los moldes tienen contacto o tocan la pared
Los alimentos quedan muy secos o muy encogidos	<ul style="list-style-type: none"> – Temperatura del horno muy alta – Tiempo de hornear muy largo – Se abrió la puerta del horno frecuentemente – El molde está demasiado grande
Los alimentos se hornean o asan muy lentamente	<ul style="list-style-type: none"> – Temperatura del horno muy baja – El horno no está precalentado – Se abrió la puerta del horno frecuentemente – Muy sellado con papel de aluminio – El molde está demasiado pequeño
Las cortezas de pays no se doran en el fondo o quedan muy empapadas.	<ul style="list-style-type: none"> – Tiempo de hornear insuficiente – Se usan moldes de acero brillosos – Posición incorrecta de la rejilla – Temperatura del horno muy baja
Los pasteles no se doran y quedan planos, tal vez sin terminar por adentro	<ul style="list-style-type: none"> – Temperatura del horno muy baja – Tiempo de hornear incorrecto – Se probó el pastel antes de tiempo – Se abrió la puerta del horno frecuentemente – El molde está demasiado grande
Los pasteles quedan elevados en el centro con grietas en la parte superior	<ul style="list-style-type: none"> – Temperatura del horno muy alta – Tiempo de hornear muy largo – Los moldes tienen contacto o tocan la pared – Posición incorrecta de la rejilla – El molde está demasiado pequeño
Los bordes de la corteza de pays quedan muy dorados	<ul style="list-style-type: none"> – Temperatura del horno muy alta – Los bordes de la corteza son muy delgadas

Autoayuda - Operación

Antes de llamar y solicitar servicio, revise lo siguiente:

Tabla 9: Autoayuda - Operación

Problema del Horno	Paso para Resolver el Problema
F03 o F04 aparecen en la pantalla	Ocurrió un problema con el bloqueo. Apague la corriente y vuelva a prenderla después de unos segundos. El horno debe realizar una autoprueba de bloqueo. Si la condición sigue igual, anote el número del código y llame a un centro de servicio autorizado.
Otro error_F aparece en la pantalla	Apague la corriente y vuelva a prenderla después de unos segundos. El horno debe realizar una autoprueba de bloqueo. Si la condición sigue igual, anote el número del código y llame a un centro de servicio autorizado.
La pantalla del horno se queda apagado	Apague la corriente general (caja de fusibles o cortocircuito). Vuelva a conectar el circuito. El horno debe reiniciarse y se podrá operar. Si la condición sigue igual, llame el centro de servicio autorizado.
El ventilador de enfriamiento sigue funcionando después de apagar el horno	Esto es normal. El ventilador se apaga automáticamente cuando los componentes electrónicos se hayan enfriado sufi cientemente.
La puerta del horno está cerrada y no se abre, aún estando fría	Apague el horno en el cortacircuito y espere unos segundos. Vuelva a conectar el circuito. El horno debe reiniciarse y se podrá operar.
El horno no calienta	Asegúrese de haber seleccionado la temperatura del horno. Revise el cortacircuito o la caja de fusibles en su casa. Asegúrese que hay una alimentación eléctrica correcta para el horno.
El horno no cocina de un modo uniforme	Revise la calibración del horno. Ajustela calibración si es necesario (vea Compensación de la Temperatura del Horno, Pág. 17). Consulte las tablas de cocinar para las posiciones recomendadas de rejillas. Siempre reduzca la temperatura de recetas por 25°F cuando hornea con el modo de horneado de convección.
La temperatura del horno está muy alta o muy baja	Se debe ajustar el termostato del horno. Vea Calibrar la Temperatura del Horno, Página 17.
Las luces del horno no funcionan correctamente	Reemplace o reinserte el foco si está flojo o defectuoso. Vea la página 15. El foco se puede quemar si lo toca con los dedos.
La luz del horno se queda prendida	La luz del horno se prende automáticamente cuando el horno empieza a calentarse. Oprima LIGHT para apagar la luz del horno. Cuando el horno está apagado, revise si la puerta del horno está obstruida o si las bisagras están dobladas.
No se puede quitar la cubierta del lente	Puede haber sólidos acumulados alrededor de la cubierta. Limpie el área del lente con una toalla seca y limpia antes de tratar de quitar la cubierta del lente.
El horno no se autolimpia bien	Permita que el horno se enfríe antes de ejecutar la autolimpieza. Siempre elimine suciedades sueltas o derrames pesados antes de la autolimpieza. Si el horno está muy sucio, configure una autolimpieza de cuatro horas. Vea Autolimpieza del Horno, Página. 13.
El reloj y cronómetro no funcionan Bien	Asegúrese que haya corriente eléctrica correcta para el horno. Vea las secciones sobre Reloj y Cronómetro, Páginas 2 y 8.
Hay mucha humedad	Cuando utiliza el modo de hornear debe precalentar el horno. El horneado de convección elimina cualquier humedad en el horno (esta es una de las ventajas de la convección).
Astillas de porcelana	Al quitar y reemplazar las rejillas del horno, siempre debe inclinarlas hacia arriba y no forzarlas para evitar astillar la porcelana.



OVEN INSTALLATION MANUAL
MANUEL D'INSTALLATION DU FOUR
MANUAL DE INSTALACIÓN DEL HORNO



⚠ Important Safety Instructions

Table of Contents

Important Safety Instructions	1
Preparation	2
Installation	4
Final Steps.....	5

Please read all instructions before installing this appliance.



WARNING

If the information in this manual is not followed exactly, a fire or explosion may result causing property damage, personal injury or death.

PARTS NEEDED:

- Tape Measure
- Straight Edge or Ruler
- Phillips Head Screwdriver
- Level
- Pencil
- Wire Cutters or Wire Stripper
- Wire Nuts
- Volt Meter (0-250 VAC)
- 1" Hole Saw
- Hand or Saber Saw
- Drill and Drill Bit
- Safety Gloves and Goggles
- Cloth or cardboard (Optional - to Protect Floor)



WARNING

Before installing, turn power OFF at the service panel. Lock service panel to prevent power from being turned ON accidentally.



CAUTION

Do not use the oven for storage.
Unit is heavy and requires at least two people or proper equipment to move.

Important:

Save these instructions for the local inspector's use.

Installer:

Please leave the instructions with the unit for the owner

Owner:

Please save these instructions for future reference.

- **Remove all tape and packaging before using the oven.** Destroy the packaging after unpacking the oven. Never allow children to play with packaging material.
- **Be sure your appliance is properly installed and grounded by a qualified technician** in accordance with the National Electrical Code ANSI/NFPA No. 7 latest edition (or the Canadian Electric Code) and local electrical code requirements.
Important: Local codes vary. Installation, electrical connections and grounding must comply with all applicable codes.
- **Install only per installation instructions provided in the literature package for this oven.**
- **Ask your dealer to recommend a qualified technician** and an authorized repair service.
- **Learn how to disconnect the power** to the oven at the circuit breaker or fuse box in case of an emergency.
- **Do not repair or replace any part of the appliance unless specifically recommended in the manuals.** All other servicing should be done by a qualified technician. This may reduce the risk of personal injury and damage to the oven.
- **Never modify or alter the construction of an oven** by removing panels, wire covers, screws, or any other part of the product.
- **DO NOT LIFT OVEN BY DOOR HANDLE.** Remove the door for easier handling and installation. See 'Removing the Oven Door' in the Maintenance section of the Care and Instructions Manual.

Preparation

Steps 1 through 3: Preparation

1. Preparation of Cabinets

General Instructions:

- The single oven can be installed under a counter or in a wall or cabinet.
- Choose a location away from strong drafts and where electrical power can be provided.
- The oven support surface must be a minimum 3/4" thick plywood platform able to support 150 pounds. It must be solid, level and flush with the bottom of the cabinet cutout.

Cabinet Cutout Dimensions

See Table 1, below and Figures 1, 2 and 3 on following page for cutout dimensions.

2. Preparation of Electrical Outlet



Caution: Turn power off at service panel and lock service panel before beginning.

General Information

Ovens are dual rated for use on either 120/240 VAC or 120/208 VAC. See Table 2 at right for power ratings and circuit breaker sizes based upon the supply voltage for each model.

The junction box must be located in the indicated space in Figures 1, 2 and 3, next page. It should be easily reached through the front of the cabinet where the oven will be located.

Verify that wiring to house is adequate.

Contact your local utility company to verify that the present electric service to your home is adequate. In some instances, the size of the wiring to the house and service switch must be increased to handle the electrical load demanded by the oven.

Verify that wiring inside house is adequate.

Most wiring codes require a separate circuit with separate disconnect switch and fuses either in the main entrance panel or in a separate switch and fuse box. Most local building regulations and codes require that electrical wiring be done by licensed electricians. Be sure to install your oven according to the electric codes in place in your region.

3. Preparation of Oven

Remove any remaining packaging and discard. Remove racks, accessories and oven door(s) and set aside. See instructions in Use and Care Manual for proper removal of oven doors. DO NOT lift oven by door handles!

Place oven in front of cabinets where it is to be installed. Rest it on a jack or other sturdy support so that it is in line with the cabinet cutout.

Table 2: Electrical Specifications

Electrical Specifications			
Model	Volts	Watts	Amps
5HA-780X	120/208	3,530	17,4
	120/240	3,660	15,6

Ltr	Dimension	Single
		30"
A	Cutout Width	28 1/2"-28 3/4"
B	Cutout Depth	24
C	Cutout Height	23 5/8"
D	Floor to Bottom of Cutout	34"
E	Top of Cutout to Opening Above	1" min.
F	Bottom of Cutout to Opening Below	1/4" min.
Single Oven Under Cabinet Installation Only:		
G	Top of Cutout to Top of Counter	4 1/2" min.
H	Side of Cutout to Adjacent Door or Drawer Front	1/4" min.
I	Oven Door Frame Width	29 1/2"

Installation

Steps 1 through 3: Preparation (continued)

Cabinet Cutout Dimensions

Refer to the figures below and the table on the previous page for cabinet cutout dimensions.

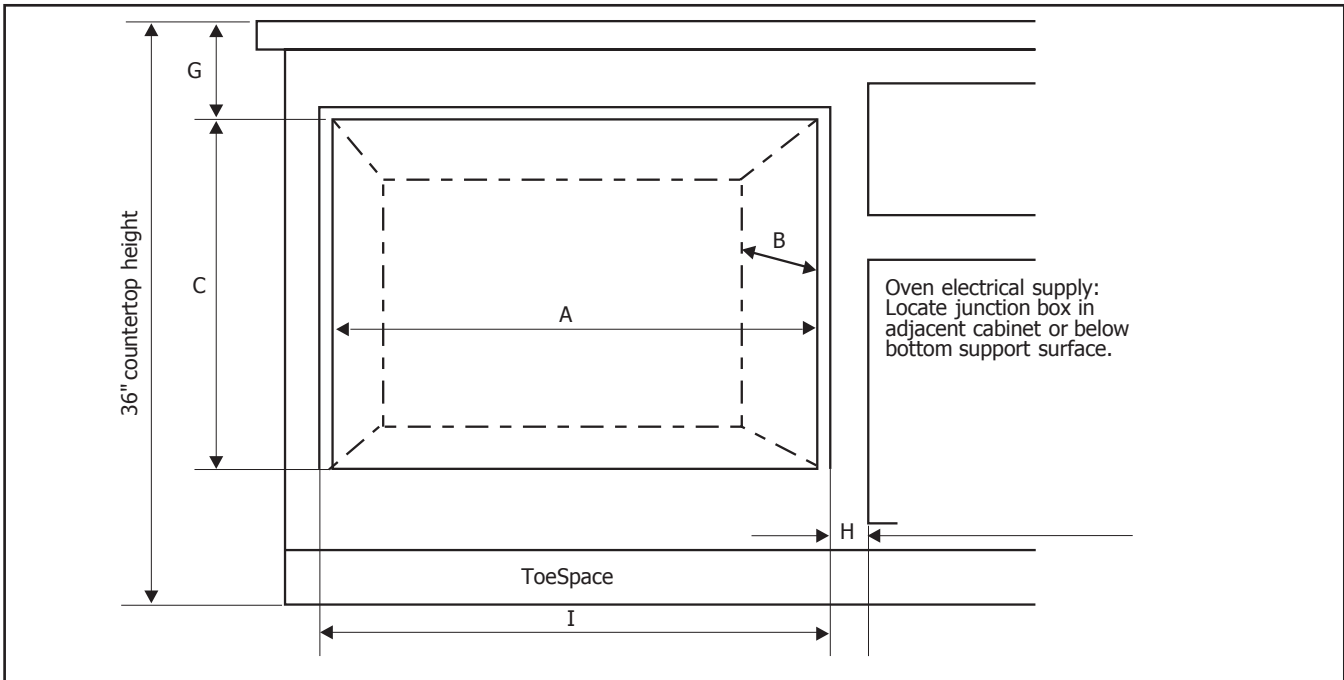


Figure 1: Single Oven Under Counter Cutout Dimensions

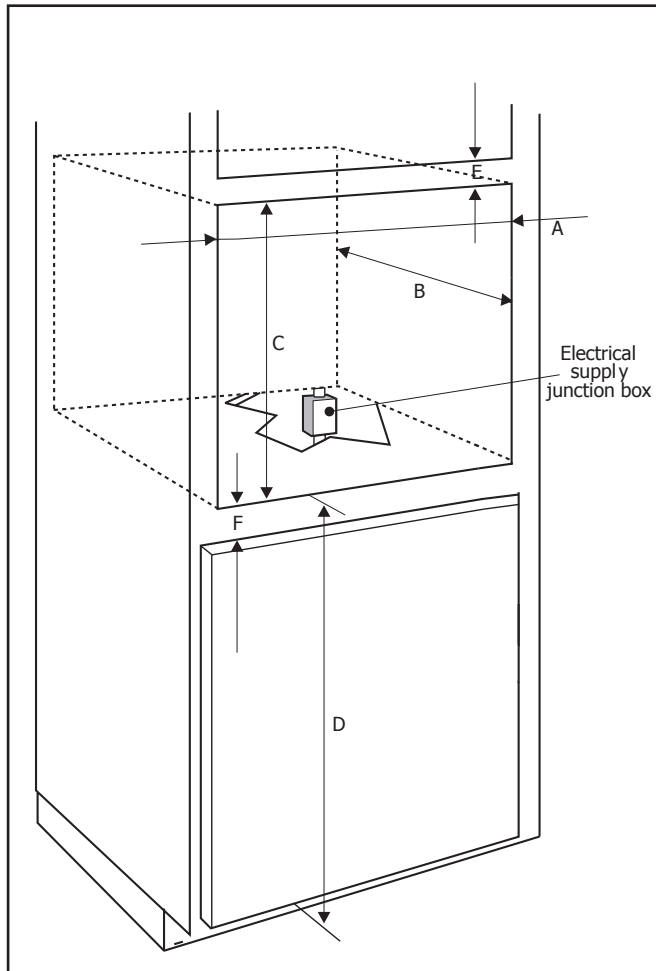


Figure 2: Single Oven Wall or Cabinet Cut-Out Dimensions

Installation

Step 4: Connect Electric

4. Connect Electric

Verify that electric to the junction box has been turned off before beginning this step.

General Instructions:

- Use copper wire **ONLY**. Wire size and connections must be suitable for the rating of the appliance per the National Electrical Code requirements or the Canadian Electric Code requirements.
- The flexible conduit extending from the oven should be connected directly to the junction box.
- Do not shorten flexible conduit.
- The junction box should be located to allow as much slack as possible between the junction box and the oven.
- A UL listed conduit connector must be provided at each end of the power supply cable.
- The four wire branch circuit connection is preferred, but where local codes permit, a three wire branch circuit connection is also acceptable.
- The four wire branch circuit connection is preferred, but where local codes permit, a three wire branch circuit connection is also acceptable.

Four Wire Connection (Preferred Method):

1. Connect green ground wire from oven to green (or bare) ground wire in junction box.
2. Connect red wire from oven to red wire in junction box.
3. Connect black wire from oven to black wire in junction box.
4. Connect white wire from oven to white (or gray) neutral wire in junction box.

Three Wire Connection :

Note: The four wire connection is preferred, but where local codes permit, the three wire connection is also acceptable.

1. Connect red wire from oven to red wire in junction box.
2. Connect black wire from oven to black wire in junction box.
3. Connect both green ground wire and white wire from oven to white (or gray) neutral wire in junction box.

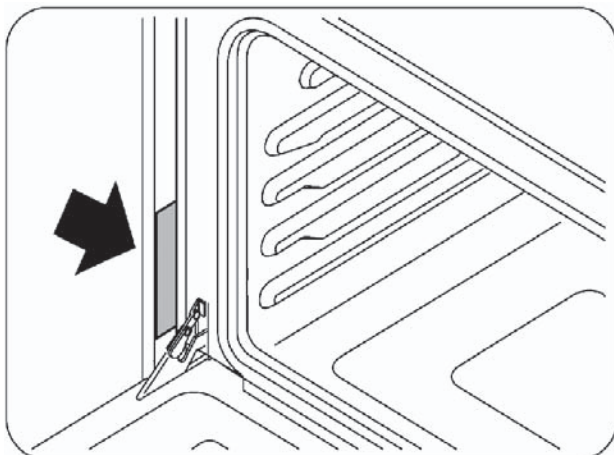


Figure 6: Location of rating plate

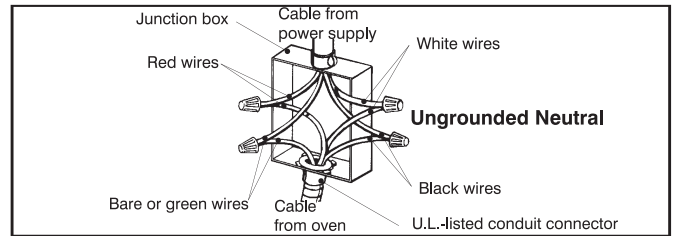


Figure 4: Four Wire Connection

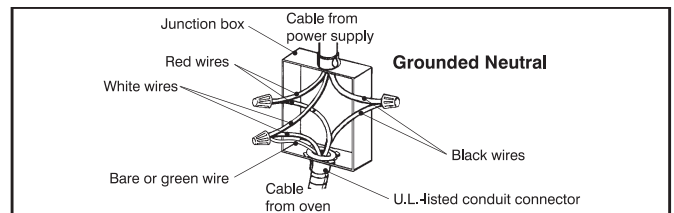


Figure 5: Three Wire Connection

Connecting to a 208 V circuit:

The oven is pre-wired for connection to 240 V, 60 Hz supply, but can be converted for use with 208 V, 60 Hz supply.

1. Turn power on a breaker.
2. **Press and hold SET CLOCK and TIMER** for at least three seconds.
Sele dEG appears in display.
3. **Press and hold STOP TIME and TIMER** for at least three seconds.
Display is blank.
4. **Press and hold COOK TIME and STOP TIME** for at least three seconds.
VOLT 240 is displayed.
5. **Press SET CLOCK.**
6. **Press + or -** to select appropriate voltage (choose 208 for 208 V connection; choose 240 to 240 V connection).
7. **Press SET CLOCK.**
8. **Press and hold STOP TIME and TIMER** for at least three seconds.
Sele dEG appears in display
9. **Press and hold SET CLOCK** for at least three seconds.
Time of day clock appears in display.

Final Steps

Step 5 and 6: Install Oven and Test Operation

5. Install Oven

1. Slide oven into cabinet cutout.
2. Push straight in until oven trim is flush with cabinet wall, being careful not to crimp flexible conduit between oven and cabinet back wall. The oven should be straight, not crooked.
3. Install 2 screws through tap holes in trim.

6. Test Operation

1. Verify that all control knobs are in the OFF position.
2. Turn on power at the breaker.

The oven will beep and the clock will appear in the display. The lock icons in the display will blink on and off and you will hear a series of clicks as the oven performs a system check.

When successfully completed, only the clock time will appear in the display. The clock is preset to 12:00 AM.
3. Check power at junction box using a volt meter.

For 240 V installation, the reading between the red and black wires (line to line) should be 220 to 240 volts.

For 208 V installation, the reading between the red and black wires (line to line) should be 190 to 208 volts.
4. Test the oven mode.

Turn cooking mode selector knob to BAKE. The following should occur:

 - 350 °F (the default baking temperature) and COOK appear in the display.
 - Red preheat indicator lights up.
 - Oven light and fan turn on.
5. If any of the tests do not result as explained above, contact with our authorised Technical Service. Otherwise, the installation is complete at this time.

Instructions de sécurité importantes

Table des matières

Instructions de sécurité	1
Préparation	2
Installation	4
Étapes finales	5

Lire toutes les instructions avant d'installer cet appareil



AVERTISSEMENT

Si l'information de ce guide n'est pas suivie, il peut y avoir un risque d'incendie ou d'explosion pouvant causer des dommages à la propriété, des blessures ou la mort.

PIÈCES NÉCESSAIRES

- Ruban à mesurer
- Bord droit ou règle
- Tournevis à tête Philips
- Niveau
- Crayon
- Coupe-fils ou dénudeur
- Serre-fil
- Voltmètre (0 – 250 VAC)
- Scie-cloche 1 po
- Scie à main ou scie sauteuse
- Perceuse et mèches
- Gants et lunettes de sécurité
- Chiffon ou carton (optionnel pour protéger le plancher)



AVERTISSEMENT

Avant d'installer, mettre l'alimentation HORS CIRCUIT au panneau de service et le verrouiller pour éviter la mise en circuit accidentelle.



ATTENTION

Ne pas utiliser le four à des fins de rangement.
L'appareil est lourd et nécessite 2 personnes ou un équipement approprié pour le soulever.

- **Retirer tout ruban et emballage avant d'utiliser le four.** Jeter tout matériel d'emballage. Ne jamais laisser les enfants jouer avec le matériel d'emballage.
- **S'assurer que l'appareil est adéquatement installé et mis à la terre par un technicien qualifié** conformément au Code national d'électricité (ANSI/NFPA n° 7, dernière édition (ou le Code canadien d'électricité) et aux codes d'électricité locaux.
Important : les codes locaux varient. L'installation, les connexions électriques et la mise à la terre doivent être conformes à tous les codes applicables.
- **Installer selon les instructions d'installation fournies avec la documentation de ce four.**
- **Demander au marchand de recommander un technicien qualifié** et un centre de service autorisé.
- **Il faut savoir comment débrancher l'alimentation** du four au coupe-circuit ou à la boîte de fusible en cas d'urgence.
- **Ne pas remplacer ni réparer toute pièce de l'appareil sauf si spécifiquement recommandé dans les guides.** Tout autre service doit être effectué par un technicien qualifié. Ceci peut réduire tout risque de dommage au four ou de blessures.
- **NE PAS SOULEVER LE FOUR PAR LA POIGNÉE DE PORTE**
- **Retirer la porte pour faciliter l'installation et la manipulation.** Voir «Retrait de la porte du four» dans le guide d'utilisation et d'entretien.

Important

Conserver ces instructions pour l'inspecteur local.

Installateur :

Laisser ces instructions avec l'appareil pour le propriétaire.

Propriétaire :

Conserver ces instructions à des fins de références.

Préparation

Étapes 1 à 3 : préparation

1. Préparation des armoires

Instructions générales :

- Le four simple peut être installé sous un plan de travail ou au mur ou armoire.
- Choisir un emplacement loin des courants d'air et à proximité de l'alimentation électrique.
- La surface support du four doit être d'au moins 3/4 po d'épaisseur, plateforme en contreplaqué pouvant supporter 150 lb. Elle doit être robuste, de niveau et à égalité avec le bas de la découpe de l'armoire.

Dimensions de la découpe de l'armoire

Voir tableau 1 ci-dessous et les figures 1, 2 et 3 à la page suivante pour les dimensions de découpe.

2. Préparation de la sortie électrique



Attention : mettre l'alimentation hors circuit au panneau de service et le verrouiller avant de commencer.

Information générale

Les fours ont une cote jumelée pour utilisation avec 120/240 VAC ou 120/208 VAC. Voir le tableau 2 à droite pour les cotes et les formats de coupe-circuit selon la tension pour chaque modèle.

La boîte de jonction doit être située dans l'espace indiqué aux figures 1, 2 et 3, page suivante. Elle doit être facilement accessible par le devant de l'armoire où le four est situé.

Vérifier si le câblage de la résidence est adéquat.

Communiquer avec la compagnie d'électricité pour s'assurer que le service électrique est adéquat. Dans certains cas, la dimension du câblage de la résidence et l'interrupteur de service doivent être augmentés afin de supporter la charge électrique exigée par le four.

Vérifier si le câblage intérieur est adéquat.

La plupart des codes de câblage exigent un circuit séparé avec interrupteur de débranchement séparé et fusibles au panneau principal ou une boîte de fusibles et interrupteur séparé.

La plupart des règlements et des codes de construction locaux exigent que le câblage électrique soit effectué par des électriciens qualifiés. S'assurer d'installer le four conformément aux codes électriques en vigueur dans la région.

3. Préparation du four

Retirer tout matériel d'emballage et jeter. Retirer les grilles, accessoires et porte(s) du four et mettre de côté. Voir les instructions du guide d'utilisation et d'entretien concernant le retrait approprié des portes du four. NE PAS soulever le four par les poignées de portes.

Placer le four devant les armoires où il doit être installé. Le déposer sur un dispositif ou support robuste afin qu'il soit aligné avec la découpe de l'armoire.

Tableau 2 : données techniques électriques

Données techniques électriques			
Modèles	Volts	Watts	Ampérage
5HA-780X	120/208	3,530	17,4
	120/240	3,660	15,6

Ltr	Dimension	Single
		30"
A	Cutout Width	28 1/2"-28 3/4"
B	Cutout Depth	24
C	Cutout Height	23 5/8"
D	Floor to Bottom of Cutout	34"
E	Top of Cutout to Opening Above	1" min.
F	Bottom of Cutout to Opening Below	1/4" min.
Single Oven Under Cabinet Installation Only:		
G	Top of Cutout to Top of Counter	4 1/2" min.
H	Side of Cutout to Adjacent Door or Drawer Front	1/4" min.
I	Oven Door Frame Width	29 1/2"

Préparation

Étapes 1 à 3 : préparation (suite)

Dimensions de découpe de l'armoire

Consulter les figures ci-dessous et le tableau à la page précédente concernant les dimensions de découpe de l'armoire.

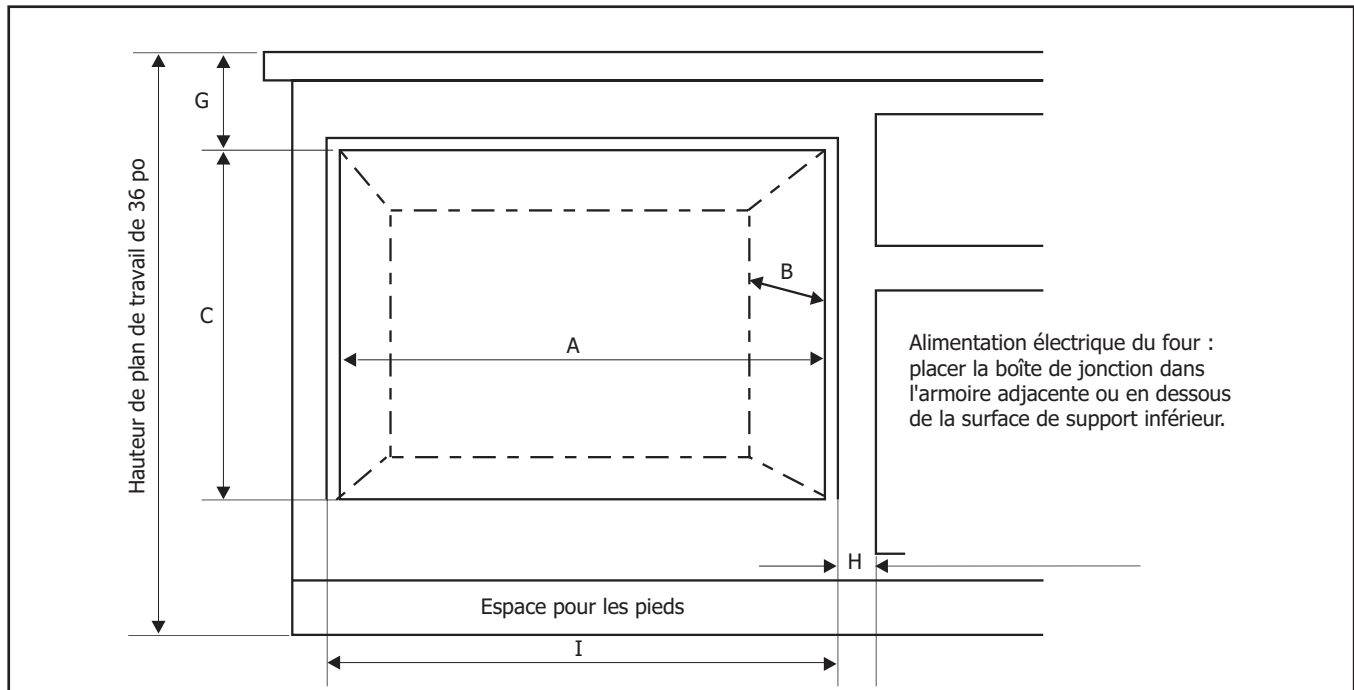


Figure 1 : dimensions de découpe sous le plan de travail pour un four simple

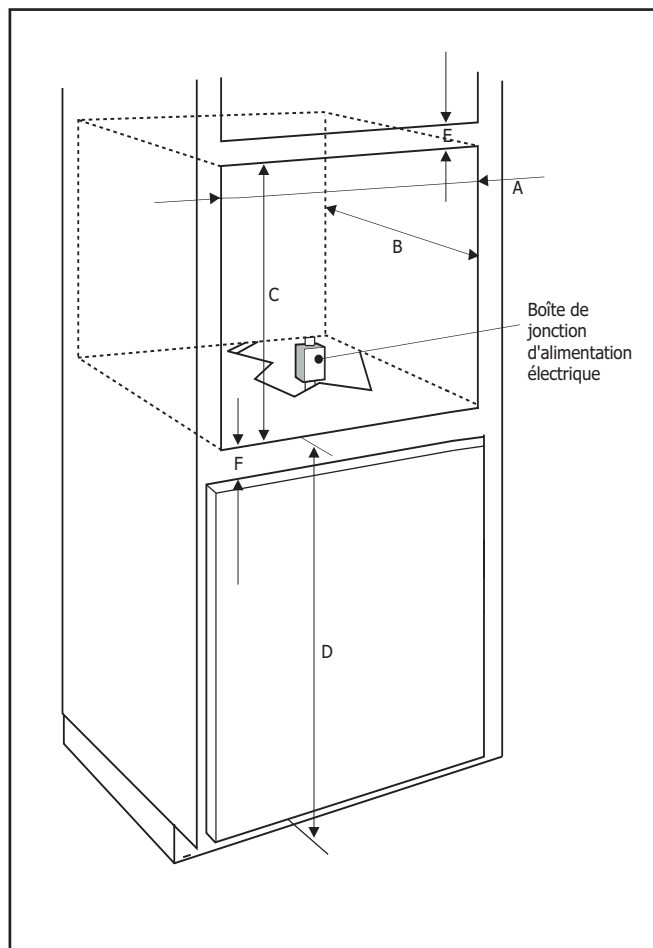


Figure 2 : four mural simple ou dimensions de découpe de l'armoire

Installation

Étape 4 : connexion électrique

4. Connexion électrique

S'assurer que l'électricité à la boîte de jonction a été mise hors circuit avant de passer à cette étape.

Instructions générales :

- Utiliser **SEULEMENT** des fils de cuivre. La dimension et les connexions des fils doivent convenir à la cote de l'appareil selon les exigences du Code national d'électricité ou ceux du Code canadien d'électricité.
- Le conduit flexible du four doit être branché directement sur la boîte de jonction.
- Ne pas raccourcir le conduit flexible.
- La boîte de jonction doit être située de façon à allouer le plus de mou possible entre le four et la boîte de jonction.
- Un connecteur de conduit liste U.L. doit être fourni à chaque extrémité du câble d'alimentation électrique.
- La connexion du circuit terminal à 4 fils est recommandée, mais là où les codes le permettent, une connexion de circuit terminal à 3 fils est acceptable.

Connexion à 4 fils (recommandée)

1. Brancher le fil de mise à la terre vert du four sur le fil de mise à la terre vert (ou dénudé) de la boîte de jonction.
2. Brancher le fil rouge du four sur le fil rouge de la boîte de jonction.
3. Brancher le fil noir du four sur le fil noir de la boîte de jonction.
4. Brancher le fil blanc du four sur le fil blanc (ou gris) neutre de la boîte de jonction.

Connexion à 3 fils

Remarque : la connexion à 4 fils est recommandée, mais si les codes locaux le permettent, la connexion à 3 fils est acceptable.

1. Brancher le fil rouge du four sur le fil rouge de la boîte de jonction.
2. Brancher le fil noir du four sur le fil noir de la boîte de jonction.
3. Brancher le fil de mise à la terre vert et le fil blanc du four sur le fil blanc (ou gris) neutre de la boîte de jonction.

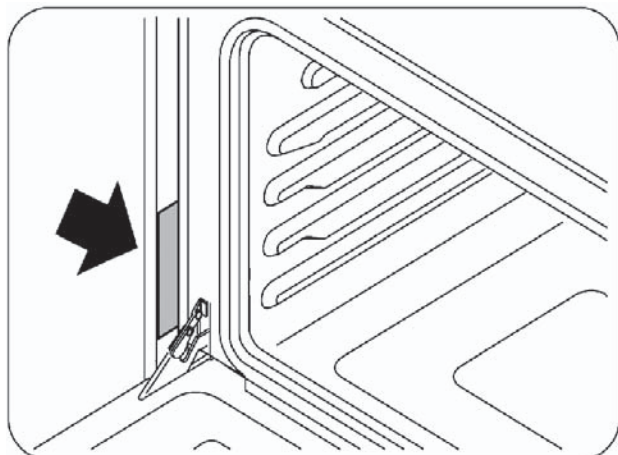


Figure 6: Endroit de la plaque de valeurs

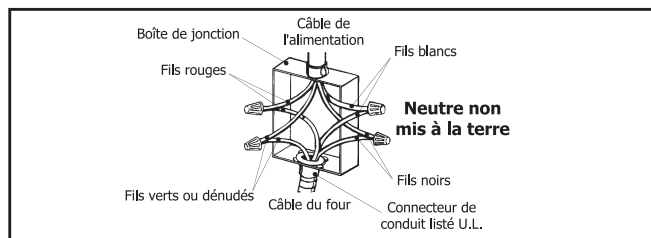


Figure 4 : connexion à 4 fils

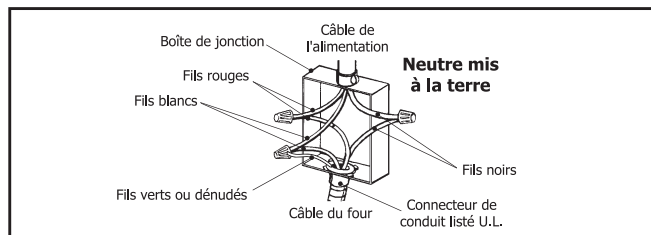


Figure 5 : connexion à 3 fils

Connexion sur un circuit 208 V

Le four est précâblé pour la connexion sur alimentation 240 V, 60 Hz, mais peut être converti pour utilisation avec alimentation 208 V, 60 Hz.

1. Mettre l'alimentation en circuit au coupe-circuit.
2. **Presser et maintenir SET CLOCK (réglage pendule) et TIMER (minuterie)** pendant au moins 3 secondes.
Sele dEG figure à l'affichage.
3. **Presser et maintenir STOP TIME (heure d'arrêt) et TIMER** pendant au moins 3 secondes.
L'affichage est vierge.
4. **Presser et maintenir COOK TIME (temps cuisson) et STOP TIME** pendant au moins 3 secondes.
VOLT 240 s'affiche.
5. **Presser SET CLOCK (réglage pendule).**
6. **Presser + ou -** pour choisir la tension appropriée (choisir 208 pour connexion 208 V; 240 pour 240 V).
7. **Presser SET CLOCK.**
8. **Presser et maintenir STOP TIME et TIMER** pendant au moins 3 secondes.
Sele dEG figure à l'affichage.
9. **Presser et maintenir SET CLOCK** pendant au moins 3 secondes.
L'heure du jour figure à l'affichage.

Étapes finales

Étapes 5 et 6 : installation et vérification du four

5. Installation du four

1. Insérer le four dans la découpe de l'armoire.
2. Pousser le four droit jusqu'à ce qu'il soit à égalité avec la paroi de l'armoire en faisant attention à ne pas écraser le conduit flexible entre le four et le mur arrière de l'armoire.
3. Installer deux vis dans les trous de la garniture.

6. Vérification

1. S'assurer que tous les boutons de contrôles sont en position arrêt.
2. Mettre l'alimentation en circuit au coupe-circuit.
Le four émet une tonalité et la pendule figure à l'affichage. Les icônes de verrouillage à l'affichage clignotent et l'on entend une série de clics pendant que le four effectue une vérification du système.
Lorsque complété avec succès, seule l'heure à la pendule figure à l'affichage. La pendule est pré-réglée à 12 : 00 AM.
3. Vérifier l'alimentation à la boîte de jonction à l'aide d'un voltmètre.
Pour une installation 240 V, la lecture entre les fils rouge et noir (ligne à ligne) doit être 220 à 240 volts.
Pour une installation 208 V, la lecture entre les fils rouge et noir (ligne à ligne) doit être 190 à 208 volts.
4. Vérifier le mode four
Régler le bouton de sélection du mode de cuisson à BAKE (cuisson). Ce qui suit devrait se produire :
 - 350 °F (température de cuisson par défaut) et COOK (cuisson) figurent à l'affichage.
 - Le voyant rouge de préchauffage s'allume.
 - L'éclairage et le ventilateur du four se mettent en circuit.Si l'on installe un four double, vérifier également le second four.
5. Si un des tests ne donne pas le résultat décrit ci-dessus, communiquer avec notre service technique autorisé. Autrement, l'installation est complétée à ce moment.

Instrucciones Importantes de Seguridad

Contenido

Instrucciones Importantes de Seguridad	1
Preparación	2
Instalación.....	4
Pasos Finales	5

Por favor lea todas las instrucciones antes de instalar este aparato.



ADVERTENCIA

El no observar la información en este manual puede causar un fuego o una explosión, y como resultado daños a la propiedad, lesiones o la muerte.

PARTES QUE SE NECESITAN:

- Cinta de medir
- Regla
- Destornillador de cabeza Phillips (de cruz)
- Niveleta
- Lápiz
- Cortaalambres o pinzas para pelar cables
- Conectores de alambre
- Voltímetro (0-250 VAC)
- SERRUCHO para orificio de 1 pulgada
- SERRUCHO de mano
- Taladro y broca
- Guantes y lentes de seguridad
- Trapo o cartón (Opcional - para proteger el piso)



ADVERTENCIA

Antes de instalar, APAGUE la corriente en el panel de servicio. Bloquee el panel para evitar que se PRENDA la corriente accidentalmente.



PRECAUCIÓN

No almacene cosas en el horno.

El aparato es pesado y requiere de al menos dos personas o un equipo apropiado para moverlo.

Importante:

Guarde estas instrucciones para el uso del inspector local.

Instalador:

Por favor deje las instrucciones con la unidad para el propietario.

Propietario:

Por favor guarde estas instrucciones para futuras referencias.

- **Quite las cintas adhesivas y los materiales de empaque antes de usar el horno.** Destruya los materiales de empaque después de desempacar el horno. Nunca permita que los niños jueguen con estos materiales.
- **Asegúrese de que su aparato esté instalado y conectado a tierra correctamente por un técnico calificado** de acuerdo con los requerimientos del código eléctrico local y la última edición del Código Eléctrico Nacional ANSI/NFPA (o del Código Eléctrico de Canadá).
Importante: Los códigos locales pueden variar. La instalación, las conexiones eléctricas y la puesta a tierra deben cumplir con todos los códigos aplicables.
- **Instale solamente de acuerdo a las instrucciones de instalación que se incluyen en el paquete de literatura para este horno.**
- **Pídale a su distribuidor que recomiende un técnico calificado** y un centro de servicio autorizado.
- **Aprenda a desconectar la corriente** al horno en el cortacircuitos o la caja de fusibles en caso de una emergencia.
- **No trate de reparar o reemplazar alguna parte del aparato a menos que los manuales lo recomienden específicamente.** Todo servicio adicional debe ser realizado por un técnico calificado. Esto puede reducir el riesgo de lesiones y daños al horno.
- **Nunca modifique o altere la construcción de un horno** quitando paneles, el revestimiento de cables, tornillos o cualquier otra parte del producto.
- **NO LEVANTE EL HORNO POR LA AGARRADERA.** Quite la puerta para facilitar el manejo y la instalación. Consulte la sección "Quitar la Puerta del Horno" en la sección de mantenimiento del Manual de Uso y Mantenimiento.

Preparación

Pasos 1 hasta 3: Preparación

1. Preparación de los Gabinetes

Instrucciones Generales:

- Se puede instalar el horno sencillo por debajo de la cubierta de cocina o adentro de una pared o un gabinete.
- escoja un lugar lejos de fuertes corrientes y donde se pueda conectar a la corriente eléctrica.
- La superficie de soporte del horno debe ser una plataforma de madera laminada con un grosor mínimo de 3/4" que aguanta 150 libras. Debe ser sólida, nivelada y quedar al ras con el fondo del recorte del gabinete.

Dimensiones del Recorte del Gabinete

Consulte la Tabla 1 abajo y las Figuras 1, 2 y 3 en la siguiente página para las dimensiones del recorte.

2. Preparación de la Toma de corriente

⚠ PRECAUCIÓN: Apague la corriente en el panel de servicio y bloquéelo antes de comenzar.

Información General

Las estufas tienen doble régimen eléctrico nominal para 120/240 VAC o 120/208 VAC. Vea la tabla 2 para la clasificación eléctrica y el tamaño del cortacircuito basado en el voltaje de alimentación para cada modelo.

Se debe colocar la caja de conexiones en el espacio indicado en las Figuras 1, 2 y 3 de la siguiente página. Debe ser fácil de alcanzarla a través del frente del gabinete donde se colocará el horno.

Verificar que el cableado a la casa esté el adecuado

Contacte a su proveedor local de electricidad para verificar que el servicio eléctrico actual sea el adecuado para su casa. En algunos casos se debe aumentar el tamaño del cableado a la casa y el interruptor de servicio para manejar la carga eléctrica exigida por el horno.

Verificar que el cableado adentro de la casa sea el adecuado.

La mayoría de los códigos de cableado requieren un circuito separado con un desconectador separado y fusibles en el panel principal de entrada o en una caja separada para el interruptor y para los fusibles.

La mayoría de las regulaciones locales de construcción requieren que un eléctrico calificado haga las instalaciones eléctricas. Asegúrese de instalar su horno de acuerdo con los códigos eléctricos aplicables en su región.

3. Preparación del Horno

Quite todo el material de empaque y deséchelo. Saque las rejillas, accesorios y la puerta(s) del horno y guárdelos a un lado. Vea las instrucciones en el Manual de Uso y Cuidado para ver cómo quitar la puerta. ¡NO levante el horno por las agarraderas de la puerta!

Coloque el horno enfrente de los gabinetes donde se debe instalar. Descanse el horno sobre un gato u otro soporte robusto para que quede alineado con el recorte realizado en el gabinete.

Tabla 2: Especificaciones Eléctricas

Especificaciones Eléctricas			
Modelo	Voltios	Watts	Amps
5HA-780X	120/208	3,530	17,4
	120/240	3,660	15,6

Ltr	Dimensión	Horno Sencillo
		30"
A	Ancho del Recorte	28 1/2"-28 3/4"
B	Profundidad del Recorte	24
C	Altura del Recorte	23 5/8"
D	Piso al Fondo del Recorte	34"
E	Parte Superior del Recorte a Abertura Alta	1" min.
F	Fondo del Recorte a Abertura Baja	1/4" min.
Instalación por debajo del Gabinete de un Horno Sencillo Solamente:		
G	Parte Superior del Recorte a la Cubierta	4 1/2" min.
H	Costado del Recorte a la Puerta Adyacente o al Frente del Cajón	1/4" min.
I	Ancho del Marco de Puerta del Horno	29 1/2"

Instalación

Pasos 1 hasta 3: Preparación (continuación)

Dimensiones de Recorte del Gabinete

Consulte las figuras abajo y la tabla en la página anterior para ver las dimensiones del recorte para el gabinete.

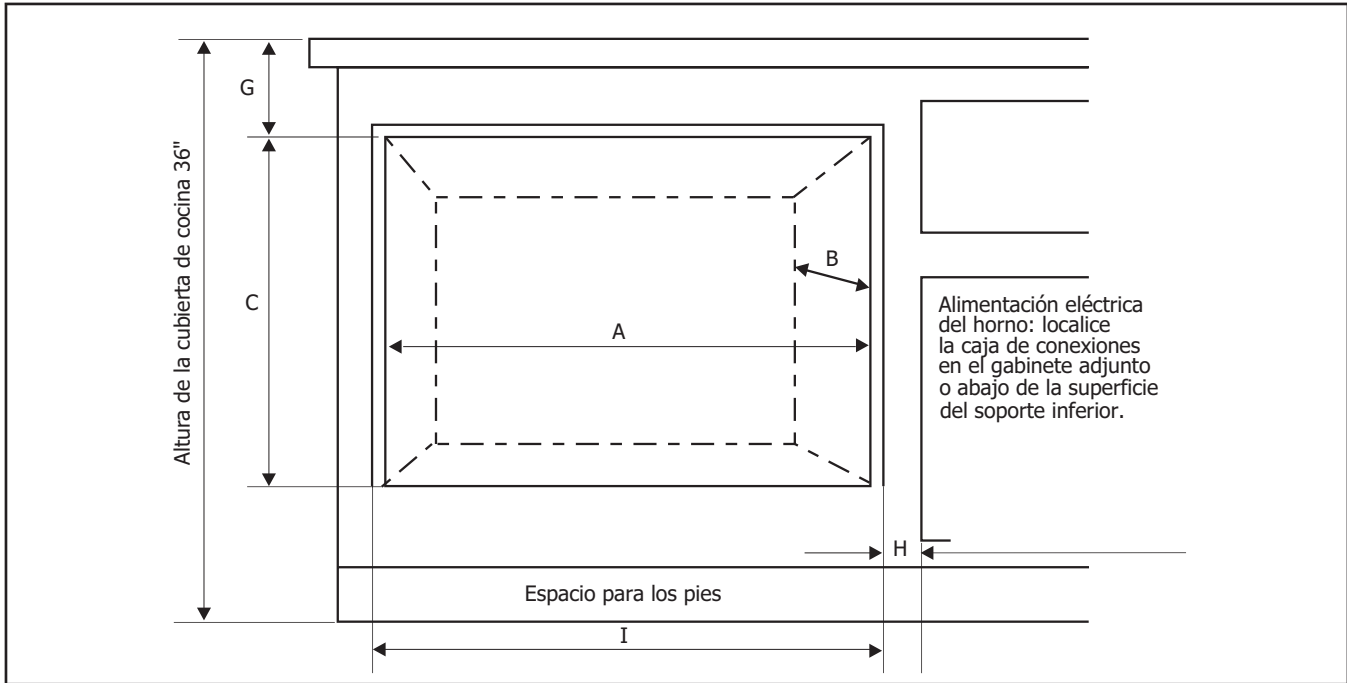


Figura 1: Dimensiones de recorte para el horno sencillo debajo de la cubierta de cocina

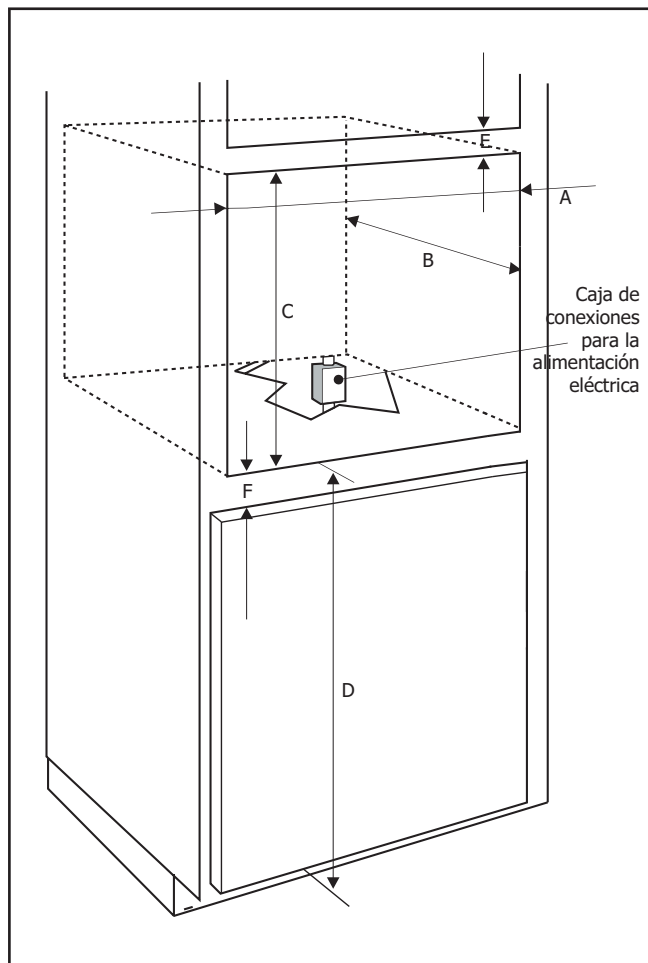


Figura 2: Dimensiones de recorte para montar un solo horno en un gabinete o la pared

Instalación

Paso 4: Conexión Eléctrica

4. Conexión Eléctrica

Verifique que se haya apagada la electricidad a la caja de conexiones antes de comenzar con este paso.

Instrucciones Generales:

- Utilice SÓLO cables de cobre. Los tamaños de cables y las conexiones deben ser adecuadas para la clasificación del aparato según los requerimientos del Código Eléctrico Nacional (o Canadiense).
- Se debe conectar el conducto flexible que sale del horno directamente a la caja de conexiones.
- No corte el conducto flexible.
- Se debe colocar la caja de conexiones de tal forma que permita el mayor juego posible entre la caja de conexiones y el horno.
- Se debe utilizar un conector de conducto listado con UL en cada extremo del cable de alimentación.
- La conexión del circuito con cuatro hilos es preferible pero donde los códigos locales lo permiten, se acepta también una conexión con tres hilos.

Conexión con cuatro hilos (Método Preferido):

1. Conecte el cable verde de tierra del horno al cable verde (o desnudo) en la caja de conexiones.
2. Conecte el cable rojo del horno al cable rojo en la caja de conexiones.
3. Conecte el cable negro del horno al cable negro en la caja de conexiones.
4. Conecte el cable blanco del horno al cable blanco (o gris) neutral en la caja de conexiones.

Conexión con tres hilos:

Nota: La conexión del circuito con cuatro hilos es preferible pero donde los códigos locales lo permiten, se acepta también una conexión con tres hilos.

1. Conecte el cable rojo del horno al cable rojo en la caja de conexiones.
2. Conecte el cable negro del horno al cable negro en la caja de conexiones.
3. Conecte ambos cables verde y blanco del horno al cable blanco (o gris) neutral en la caja de conexiones.

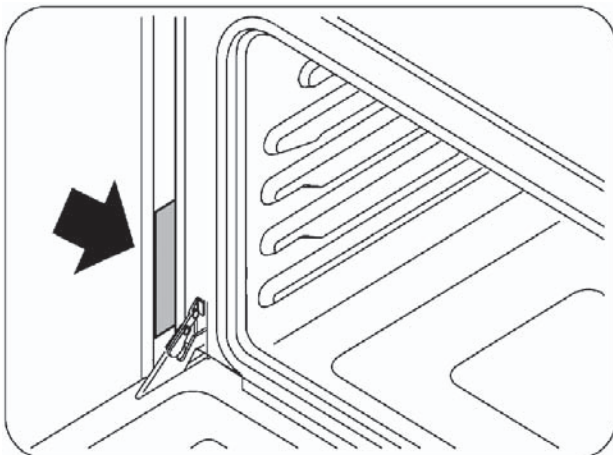


Figure 6: Localización de la placa de potencia

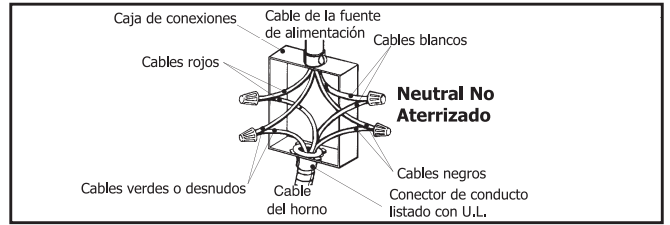


Figura 4: Conexión con cuatro hilos

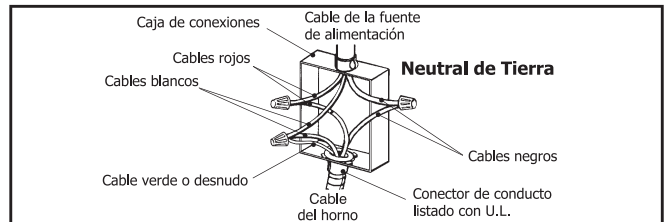


Figura 5: Conexión con tres hilos

Conexión a un circuito de 208 V:

El horno viene precableado para una conexión a una alimentación de 240 V, 60 Hz, pero se puede convertir para una alimentación de 208 V, 60 Hz.

1. Prenda la corriente con un interruptor.
2. **Oprima y mantenga oprimido SET CLOCK y TIMER** por al menos tres segundos. **Sele dEG** aparece en la pantalla.
3. **Oprima y mantenga oprimido STOP TIME y TIMER** por al menos tres segundos. La pantalla está en blanco.
4. **Oprima y mantenga oprimido COOK TIME y STOP TIME** al menos tres segundos. Aparece **VOLT 240**.
5. **Oprima SET CLOCK**.
6. **Oprima + o -** para escoger el voltaje apropiado (escoja 208 para una conexión de 208 V; escoja 240 para una conexión de 240 V).
7. **Oprima SET CLOCK**.
8. **Oprima y mantenga oprimido STOP TIME y TIMER** por al menos tres segundos. **Sele dEG** aparece en la pantalla.
9. **Oprima y mantenga oprimido SET CLOCK** por al menos tres segundos. La hora del día aparece en la pantalla.

Pasos finales

Paso 5 y 6: Instalar el Horno y Probar la Operación

5. Instalar el Horno

1. Inserte el horno en el recorte del gabinete.
2. Empuje el horno hacia atrás hasta que el borde quede al ras con la pared del gabinete. Tenga cuidado para no doblar el conducto flexible entre el horno y la pared trasera del gabinete. El horno debe quedar en posición recta, no torcida.
2. Instale 2 tornillos a través de los agujeros para rosca interior en la moldura.

6. Probar la Operación

1. Verifique que todas las perillas de control estén en la posición de APAGADO.
2. Prenda la corriente en el interruptor.

El horno emitirá un pitido y el reloj aparecerá en la pantalla. Los iconos de bloqueo parpadearán en la pantalla y usted podrá escuchar una serie de chasquidos mientras el horno realiza un chequeo del sistema.

Una vez que termina el horno, sólo aparecerá la hora del reloj en la pantalla. El reloj queda pre-configurado para las 12:00 AM.

3. Revise la corriente en la caja de conexiones con un voltímetro.

Para una instalación de 240V, la lectura entre los cables rojos y negros (línea a línea) debe ser 220 a 240 voltios.

Para una instalación de 208V, la lectura entre los cables rojos y negros (línea a línea) debe ser 190 a 208 voltios.

4. Verifique el modo del horno.

Cambie la perilla de selección del horno a BAKE (Hornear). Lo siguiente debería ocurrir:

- 350 °F (la temperatura por default) y COOK (Cocinar) aparecen en la pantalla.
- Se iluminan las luces rojas de precalentamiento.
- Se prenden la luz y el ventilador del horno.

5. Si alguna de las pruebas no resulta como se describe arriba, contacte con nuestro Servicio Técnico Autorizado. De otro modo la instalación ya terminó en este momento.

